

Compact Capacitance Probe For Level Measurement and Plugged Chute Detection in Liquids, Powders & Solids

- Works where proximity switches don't
- For tanks, bins, silos, chutes, conveyors, pipes, and load out hoppers
- ProShield feature ignores material buildup
- LED on housing indicates sensor status
- Easy "one-time" calibration
- Compact design; simple to install
- For metal, plastic or other non-metallic vessels



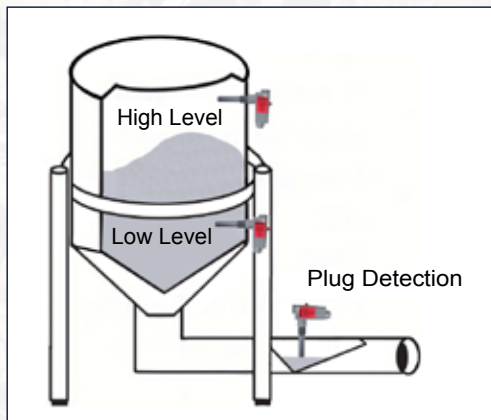
CompactPro

Eliminate Proximity Switch Failures with Reliable CompactPro Technology

BinMaster's CompactPro is a compact capacitance probe for use in solid, liquid and slurry applications. CompactPro provides reliable point level measurement in materials where proximity switches don't work. Special ProShield technology ignores the material buildup that causes proximity switches to fail. CompactPro is simple to install and features easy "one-time" calibration. Economically priced, CompactPro offers the same features found in more expensive capacitance probe sensors.

CompactPro Features

- ProShield® technology ignores material buildup on the vessel sidewall or along the probe assembly for more reliable operation
- Specifically designed electronics provide highly sensitive measurement detection (requires less than a 1 picofarad shift from ambient)



- Visual LED on housing indicates sensor status
- Simple "one-time" calibration procedure
- Operation is not affected by changes in temperature eliminating the need for bothersome re-calibration
- Four levels of static discharge protection-important for pneumatically conveyed materials
- 1 to 30 second time delay
- Simple to install; no routine maintenance
- 5 Amp, SPDT fail-safe relay output (switch selectable high/low fail safe)

Specifications

Power Requirements: 120 VAC 1.5 VA

Output Relay: SPDT 5 amp at 250VAC

Temperature Electronics: -40 to 185° F (-40 to 85° C)

Temperature Probe: -40 to 240° F (-40 to 116° C)

Enclosure: NEMA 4X, dust tight, water resistant

Sensitivity Setting: Adjustable sensitivity to < 1 picofarad

Calibration: Multi-turn potentiometer

Fail-Safe: Switch selectable, high/low

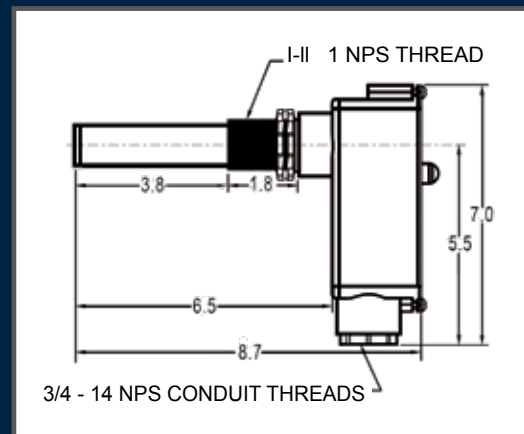
Time Delay: Adjustable 1 to 30 seconds

Enclosure: PVC

Probe: CPVC

Mounting: 1" NPS (1¼" NPT adapter available)

LED: Indicates material presence or absence



CP-0719-BLC-ES



402-434-9102

www.binmaster.com

