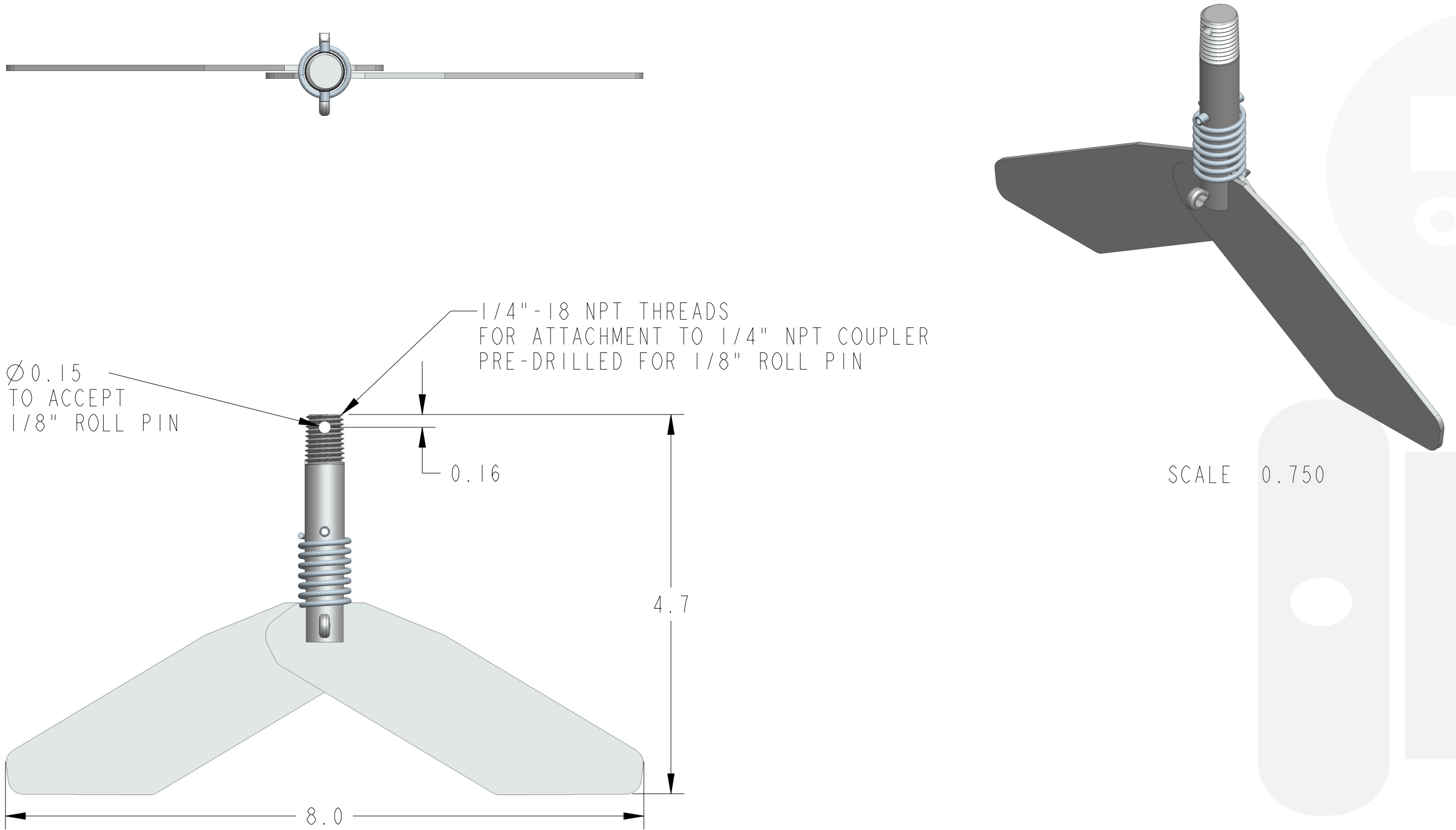


This drawing is the property of Garner Industries. It is issued in confidence on the condition that it is to be returned on request and that it is not to be copied or reproduced in any way, or used in the manufacture of the subject matter thereof without the written consent of Garner Industries.

DIMENSIONS ARE IN INCHES UNLESS NOTED OTHERWISE



Division of Garner Industries / 7201 North 98th Street / Lincoln, NE 68507
(402) 434-9102 / fax (402) 434-9144 \ www.binmaster.com



Ø0.15
TO ACCEPT
1/8" ROLL PIN

1/4"-18 NPT THREADS
FOR ATTACHMENT TO 1/4" NPT COUPLER
PRE-DRILLED FOR 1/8" ROLL PIN

0.16

4.7

8.0

SCALE 0.750

SCALE 0.750

REVISION
A

TITLE: MTG DIM, PADDLE, DOUBLE FOLDING

Model No.: GRP-37

P/N: 416-0557

DWG No.: 418-0188

MATERIAL: 304 STAINLESS STEEL

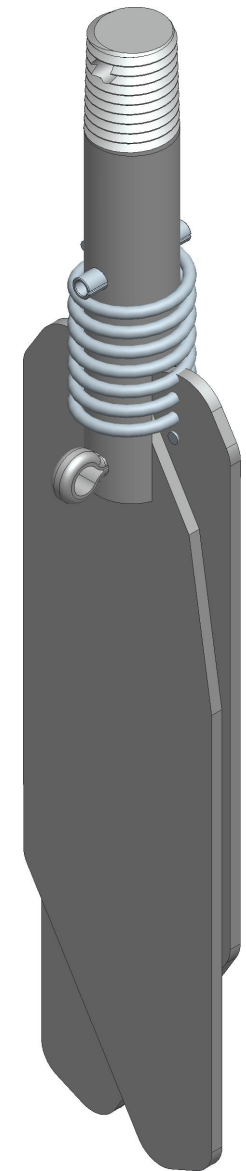
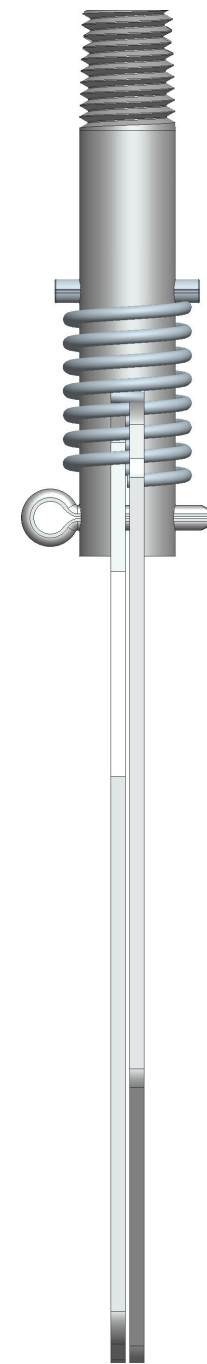
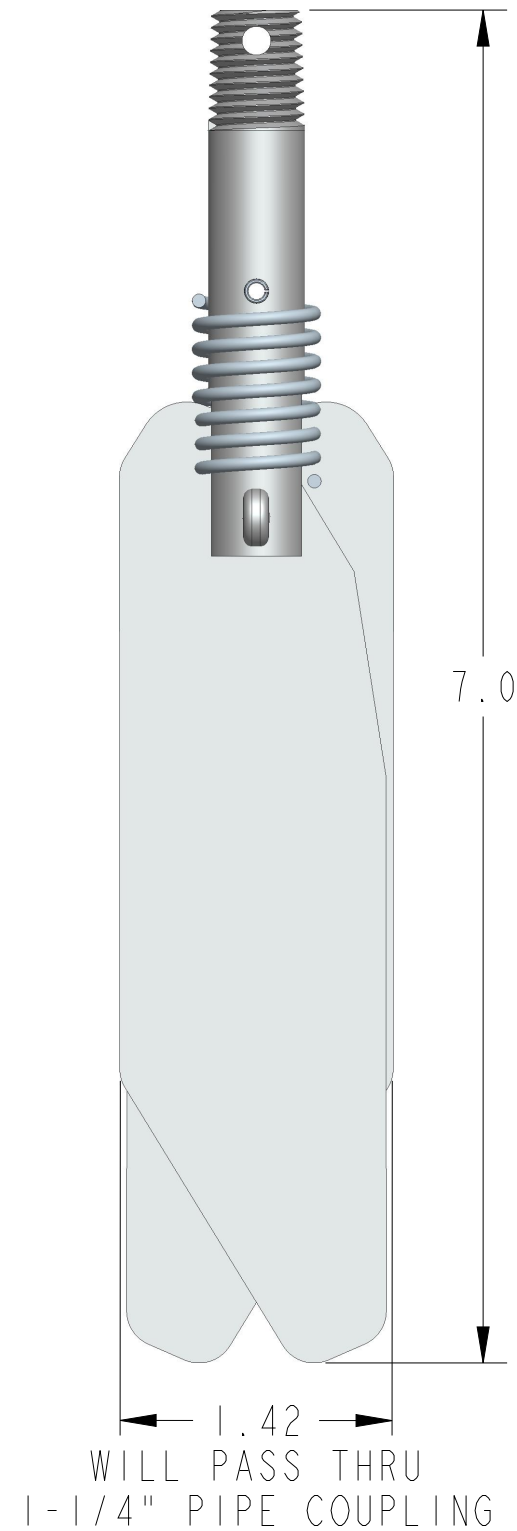
PAGE
1 OF 2

This drawing is the property of Garner Industries. It is issued in confidence on the condition that it is to be returned on request and that it is not to be copied or reproduced in any way, or used in the manufacture of the subject matter thereof without the written consent of Garner Industries.

DIMENSIONS ARE IN INCHES UNLESS NOTED OTHERWISE



Division of Garner Industries / 7201 North 98th Street / Lincoln, NE 68507
(402) 434-9102 / fax (402) 434-9144 \ www.binmaster.com



SCALE 1.000

SCALE 1.000

REVISION
A

TITLE: MTG DIM, PADDLE, DOUBLE FOLDING

Model No.: GRP-37

P/N: 416-0557

DWG No.: 418-0188

MATERIAL: 304 STAINLESS STEEL

PAGE
2 OF 2