

Specific&Performance

- Dial size: From 1" to 6"
- Connection type: bottom, back, adjustable
- Zero point adjustable by knob
- Stem length: From 2.5" to 60"

Applications

- Petrochemical
- Water Treatment
- Power Plant
- Food and beverage

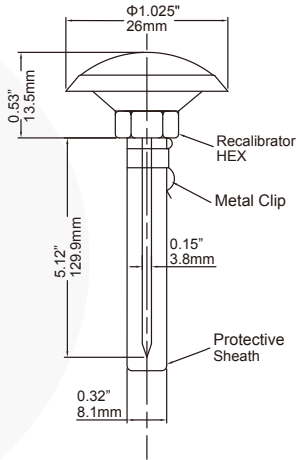


Specifications

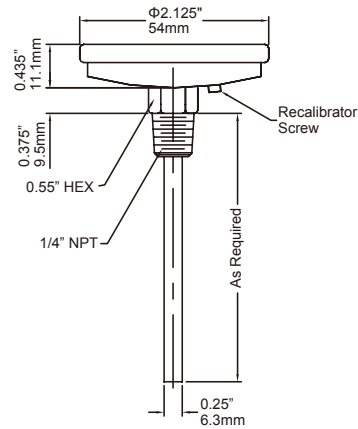
Dial size	1", 2", 3", 4", 5", 6"	
Accuracy(25°C)	1% according to ASME B40.3 standard	
Case material	304SS, 316SS(only 3",4",5",6" available)	
Temperature sensor	Bi-Metal	
Pointer type	Black, aluminium	
Dial type	White back, black character, aluminium	
Window type	1" dial	2", 3", 4", 5" and 6" dial
	Acrylic	Glass(standard), safety glass(optional)
Stem material	304SS(standard), 316SS(optional)	
Stem length	Min 2.5", Max 60"	
Stem diameter	3.8mm(only 1"available), 6mm, 6.35mm, 8mm, 9.5mm, 12mm	
Environment temperature	-50 °C ...120 °C (-58F...248F)	
IP protection	IP65 according to EN 60529 standard	
Connection	bottom, back or adjustable	

Dimensions(mm)

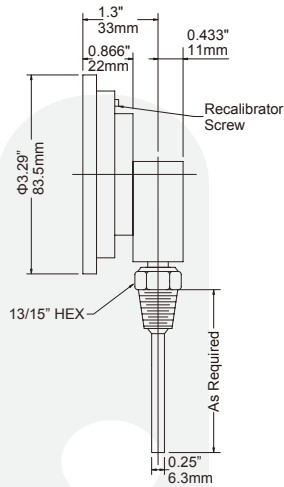
1" Back Connection



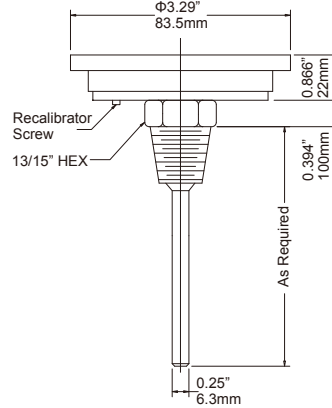
2" Back Connection



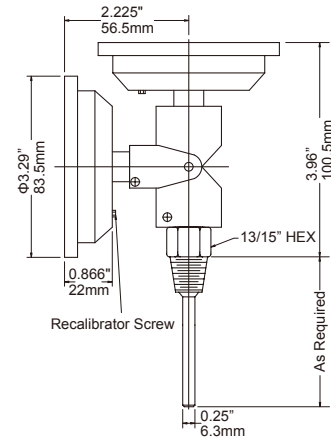
3" Bottom Connection



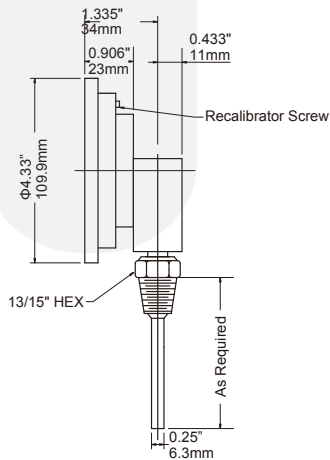
3" Back Connection



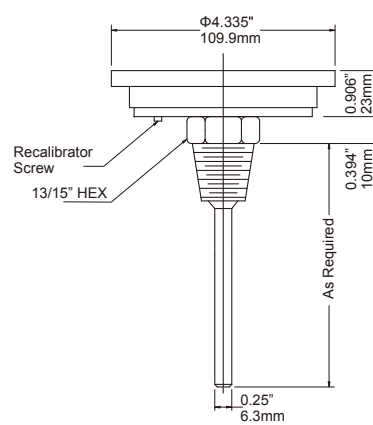
3" Adjustable Angle



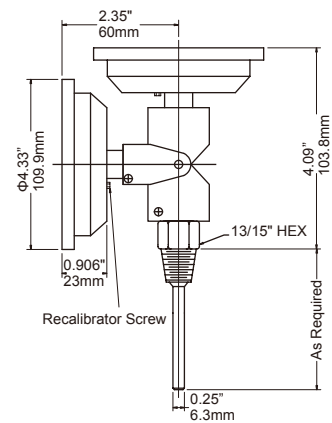
4" Bottom Connection



4" Back Connection

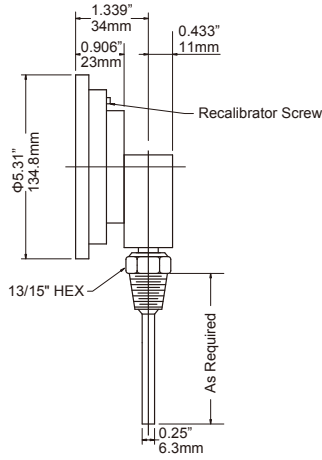


4" Adjustable Angle

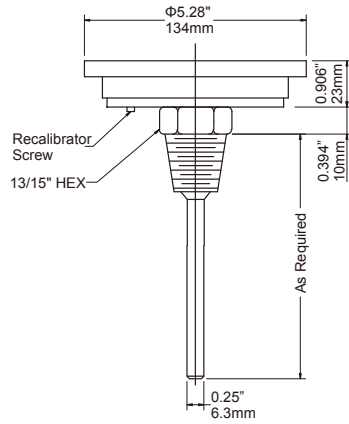


Dimensions(mm)

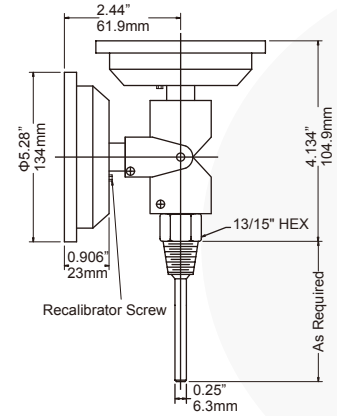
5" Bottom Connection



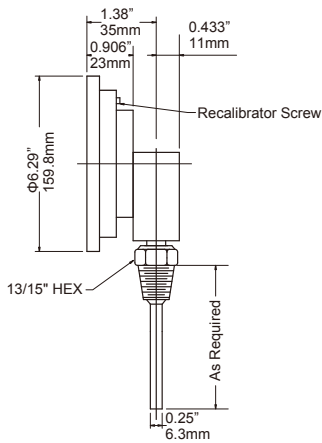
5" Back Connection



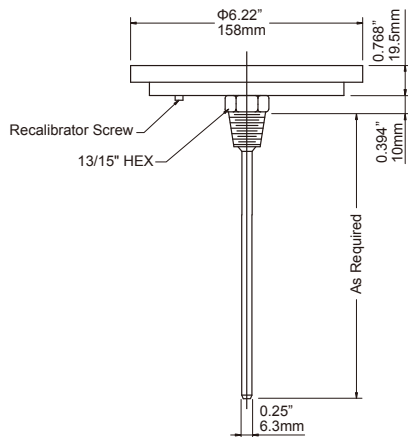
5" Adjustable Angle



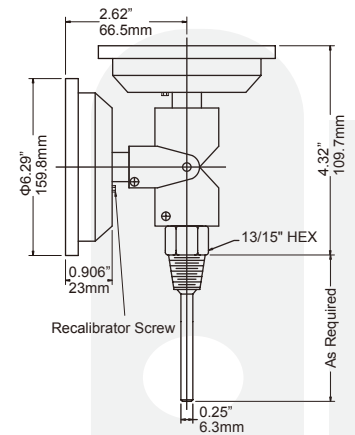
6" Bottom Connection



6" Back Connection



6" Adjustable Angle



TBM ordering code		
Code	Specifications	
1. <input type="text"/>	TBM	Series
2. <input type="text"/>	10	Dial size 1"
	20	2"
	30	3"
	40	4"
	50	5"
	60	6"
3. <input type="text"/>	T	Case material 304SS
	S	316SS(not availavle for 1" & 2")
4. <input type="text"/>	A	Type of mounting Bottom(not availavle for 1" & 2")
	D	Back
	H	Adjustable angle(not availavle for 1" & 2")
5. <input type="text"/>	T	Stem material 304 SS
	S	316 SS
6. <input type="text"/>	0	Stem diameter 3.8mm(only for 1")
	1	6mm
	2	6.35mm(standard)
	3	8mm
	4	9.5mm
	5	12mm
7. <input type="text"/>	0025	Stem length 2.5"
	0030	3"
	0040	4"
	0050	5"
	0060	6"
	XXXX	Code: "inch"*10
8. <input type="text"/>	0	Thread size Without
	4	1/4"
	3	3/8"
	2	1/2"
	Z	M20X1.5
9. <input type="text"/>	0	Thread type Without
	N	NPT
	B	G/BSP
	T	BSPT
	M	M

TBM ordering code

Code	Specifications
------	----------------

10.

Range								
F & C (Dual)	Code	F only	Code	C only	Code	C only	Code	Code
-100/150 °F (-70/70 °C)	B01	-40/120 °F	B14	-80/50 °C	B26	0/400 °C	B40	
-40/120 °F (-40/50 °C)	B02	-40/160 °F	B15	-50/50 °C	B27	0/450 °C	B35	
0/140 °F (-20/60 °C)	B03	0/140 °F	B16	-50/100 °C	B29	0/500 °C	B42	
-40/160 °F (-40/70 °C)	B04	0/200 °F	B17	-20/120 °C	B31	0/550 °C	B39	
25/125 °F (-5/50 °C)	B05	20/240 °F	B18	0/50 °C	B28	100/550 °C	B36	
0/200 °F (-20/90 °C)	B06	0/250 °F	B19	0/80 °C	B41			
20/240 °F (-5/115 °C)	B07	50/300 °F	B20	0/100 °C	B30			
0/250 °F (-20/120 °C)	B08	50/400 °F	B21	0/120 °C	B43			
50/300 °F (10/150 °C)	B09	50/550 °F	B22	0/150 °C	B32			
50/400 °F (10/200 °C)	B10	150/750 °F	B23	0/200 °C	B33			
50/500 °F (10/260 °C)	B11	0/800 °F	B24	0/250 °C	B37			
150/750 °F (100/400 °C)	B12	200/1000 °F	B25	0/300 °C	B34			
200/1000 °F (100/540 °C)	B13			0/350 °C	B38			

11.

Option	
SE	Glycerin filled
SD	Silicone filled
SA	Safety glass
SM	Stainless steel tag plate