



Optional U-Clamp



### Description & Features:

- Liquid filled stainless steel case protects against vibration and pulsation
- Bayonet ring
- Highly accurate
- Back, bottom, or panel mounted
- Stainless steel or brass wetted parts
- Dry case available
- CRN registered
- 5 year warranty

### Applications:

- Outdoor and severe ambient and process conditions
- Use where harmful vibration and pulsation are present
- Hydraulic equipment, pressure washers, oil field equipment, pumps, compressors and process systems

Specifications	Stainless Steel Internals	Brass Internals
<b>Dial</b>	2.5" (63mm), 4" (100mm), 6" (150mm) white aluminum with black and red markings	4" (100mm) white aluminum with black and red markings
<b>Case</b>	AISI 304 SS	AISI 304 SS
<b>Lens</b>	Polycarbonate	Polycarbonate
<b>Ring</b>	AISI 304 SS	AISI 304 SS
<b>Socket</b>	316 SS 2.5", 4": Welded one-piece socket	OT 58 brass
<b>Connection</b>	1/4" NPT or 1/2" NPT standard 2.5" (63mm): 1/4" NPT only	1/4" NPT or 1/2" NPT standard
<b>Bourdon Tube</b>	316 SS, drawn seamless	Phosphor bronze
<b>Movement</b>	304 SS 4" (100mm): Over/under stops (optional)	OT 59 brass
<b>Pointer</b>	2.5" (63mm): Aluminum, anodized black 4" (100mm), 6" (150mm): Aluminum, anodized black, micrometer adjustable	4" (100mm) aluminum, anodized black, micrometer adjustable
<b>Welding</b>	TIG	Silver alloy
<b>Fill Liquid</b>	Glycerin	Glycerin
<b>Over-Pressure Limit</b>	30% for pressures up to 600 psi (4,147 kPa), 15% for pressures over 600 psi (4,147 kPa)	25% for pressures up to 1,400 psi (9,653 kPa), 15% for pressures over 1,400 psi (9,653 kPa)
<b>Socket Gasket</b>	2.5" (63mm): Buna N for two-piece internal socket seal 6" (150mm): Buna N for one-piece external socket seal, Silicone rubber option	6" (150mm): Buna N for one-piece external socket seal, Silicone rubber option
<b>Fill Plug</b>	Buna N (Silicone rubber option)	Buna N (Silicone rubber option)
<b>Lens Ring Gasket</b>	Buna N (Silicone rubber option)	Buna N (Silicone rubber option)
<b>Working Pressure</b>	Maximum 75% of full scale value	Maximum 75% of full scale value
<b>Ambient/Process Temperature</b>	Dry: -40°F to 200°F (-40°C to 93°C) Glycerin Filled: -4°F to 150°F (-20°C to 65°C)	Dry: -40°F to 200°F (-40°C to 93°C) Glycerin Filled: -4°F to 150°F (-20°C to 65°C)
<b>Accuracy</b>	2.5" (63mm): ±1.5% of full scale value 4" (100mm), 6" (150mm): ±1% ANSI/ASME Grade 1A	4" (100mm): ±1% ANSI/ASME Grade 1A
<b>Enclosure Rating</b>	IP66, EN60529-1 (IEC529-1)	IP66, EN60529-1 (IEC529-1)

### Single Scale Order Codes (products in bold are normally in stock)

Dial Size	2.5" (63mm)		4" (100mm)			
Connection	1/4" Bottom	1/4" Back (CB)	1/4" Bottom	1/2" Bottom	1/4" Back (LB)	1/2" Back (LB)
Movement Socket, Tube	SS	SS	SS	SS	SS	SS
30" Hg Vacuum	<b>PFP820R1</b>	<b>PFP840R1</b>	PFP640R1	<b>PFP655R1</b>	PFP1090R1	-
30"-0-15 psi	PFP860R1	PFP870R1	PFP1036R1	PFP1044R1	PFP1244R1	-
30"-0-30 psi	<b>PFP861R1</b>	PFP871R1	PFP1037R1	PFP1045R1	PFP1245R1	-
30"-0-60 psi	<b>PFP862R1</b>	PFP872R1	PFP1038R1	PFP1046R1	PFP1246R1	-
30"-0-100 psi	<b>PFP863R1</b>	PFP873R1	PFP1039R1	PFP1047R1	PFP1247R1	-
30"-0-150 psi	<b>PFP864R1</b>	PFP874R1	PFP1040R1	PFP1048R1	PFP1248R1	-
30"-0-200 psi	PFP866R1	PFP876R1	PFP1042R1	PFP1050R1	PFP1249R1	-
30"-0-300 psi	PFP867R1	PFP877R1	PFP1043R1	PFP1051R1	PFP1250R1	-
0-15 psi	<b>PFP821R1</b>	<b>PFP921R1</b>	<b>PFP641R1</b>	<b>PFP656R1</b>	PFP1091R1	-
0-30 psi	<b>PFP822R1</b>	<b>PFP922R1</b>	PFP642R1	<b>PFP657R1</b>	PFP1092R1	-
0-60 psi	<b>PFP823R1</b>	<b>PFP923R1</b>	<b>PFP643R1</b>	<b>PFP658R1</b>	PFP1093R1	-
0-100 psi	<b>PFP824R1</b>	<b>PFP924R1</b>	<b>PFP644R1</b>	<b>PFP659R1</b>	<b>PFP1094R1</b>	-
0-160 psi	<b>PFP825R1</b>	<b>PFP925R1</b>	<b>PFP645R1</b>	<b>PFP660R1</b>	PFP1095R1	-
0-200 psi	<b>PFP826R1</b>	<b>PFP926R1</b>	<b>PFP646R1</b>	<b>PFP661R1</b>	PFP1096R1	-
0-300 psi	<b>PFP827R1</b>	PFP927R1	<b>PFP647R1</b>	<b>PFP662R1</b>	PFP1097R1	-
0-400 psi	<b>PFP880R1</b>	PFP881R1	<b>PFP650R1</b>	<b>PFP666R1</b>	PFP1251R1	-
0-600 psi	<b>PFP828R1</b>	<b>PFP928R1</b>	<b>PFP648R1</b>	<b>PFP663R1</b>	PFP1098R1	-
0-1,000 psi	<b>PFP829R1</b>	<b>PFP929R1</b>	PFP649R1	PFP664R1	PFP1099R1	-
0-1,500 psi	<b>PFP834R1</b>	PFP934R1	-	<b>PFP665R1</b>	PFP1252R1	PFP1190R1
0-2,000 psi	<b>PFP830R1</b>	<b>PFP930R1</b>	-	<b>PFP667R1</b>	PFP1253R1	PFP1191R1
0-3,000 psi	<b>PFP831R1</b>	<b>PFP931R1</b>	-	<b>PFP668R1</b>	PFP1254R1	PFP1192R1
0-5,000 psi	<b>PFP832R1</b>	<b>PFP852R1</b>	-	<b>PFP669R1</b>	<b>PFP1255R1</b>	PFP1193R1
0-6,000 psi	<b>PFP836R1</b>	PFP851R1	-	<b>PFP675R1</b>	PFP1259R1	PFP1197R1
0-10,000 psi	<b>PFP833R1</b>	<b>PFP853R1</b>	-	<b>PFP670R1</b>	PFP1256R1	PFP1194R1
0-15,000 psi	<b>PFP835R1</b>	<b>PFP855R1</b>	-	<b>PFP671R1</b>	PFP1257R1	PFP1195R1
0-20,000 psi	<b>PFP837R1</b>	-	-	<b>PFP672R1</b>	PFP1258R1	PFP1196R1

Other ranges and connection sizes available upon request. 316 SS case and mountable bezel available upon request. For scale change, refer to How to Order Guide for scale codes. **For options, attach suffix to end of order code: i.e. PFP929-25UC for U-CLAMP.**

**Option suffix:**

25BF = 2.5" (63mm) Back Flange  
 25FF = 2.5" (63mm) Front Flange  
 25UC = 2.5" (63mm) U-Clamp  
 25DRY = Supply 2.5" gauge less liquid fill  
 2.5 BOOT = 2.5" (63mm) black rubber boot

4BF = 4" (100mm) Back Flange  
 4FF = 4" (100mm) Front Flange  
 4UC-P = 4" (100mm) Premium U-Clamp  
 DRY = Supply 4" gauge less liquid fill

SF25 = Silicone Filled for 2.5"  
 SF4 = Silicone Filled for 4"  
 SG-25 = Safety Glass 2.5"  
 SG-4 = Safety Glass Lens 4"  
 REST = Restrictor Screw

### Dual Scale Order Codes (products in bold are normally in stock)

Dial Size	2.5" (63mm)		4" (100mm)				4" (100mm)			
	1/4" Bottom	1/4" Back (CB)	1/4" Bottom	1/2" Bottom	1/4" Back (LB)	1/2" Back	1/4" Bottom	1/2" Bottom	1/4" Back (LB)	1/2" Back (LB)
Movement Socket, Tube	SS	SS	Brass	Brass	Brass	Brass	SS	SS	SS	SS
30" Hg Vacuum/kPa	<b>PFP820</b>	<b>PFP840</b>	<b>PFP600</b>	PFP2284	PFP1000	-	<b>PFP640</b>	<b>PFP655</b>	<b>PFP1090</b>	PFP2308
30"-0-15 psi/kPa	<b>PFP860</b>	<b>PFP870</b>	PFP1020	PFP2285	PFP1028	-	<b>PFP1036</b>	<b>PFP1044</b>	<b>PFP1244</b>	PFP2309
30"-0-30 psi/kPa	<b>PFP861</b>	<b>PFP871</b>	<b>PFP1021</b>	PFP2286	<b>PFP1029</b>	-	<b>PFP1037</b>	<b>PFP1045</b>	PFP1245	PFP2310
30"-0-60 psi/kPa	<b>PFP862</b>	<b>PFP872</b>	<b>PFP1022</b>	PFP2287	PFP1030	-	<b>PFP1038</b>	<b>PFP1046</b>	PFP1246	PFP2311
30"-0-100 psi/kPa	<b>PFP863</b>	<b>PFP873</b>	<b>PFP1023</b>	PFP2288	PFP1031	-	<b>PFP1039</b>	<b>PFP1047</b>	PFP1247	PFP2312
30"-0-150 psi/kPa	<b>PFP864</b>	<b>PFP874</b>	<b>PFP1024</b>	PFP2289	<b>PFP1032</b>	-	<b>PFP1040</b>	<b>PFP1048</b>	<b>PFP1248</b>	PFP2313
30"-0-200 psi/kPa	<b>PFP866</b>	<b>PFP876</b>	<b>PFP1026</b>	PFP2290	PFP1034	-	<b>PFP1042</b>	<b>PFP1050</b>	PFP1249	PFP2314
30"-0-300 psi/kPa	PFP867	PFP877	PFP1027	PFP2291	PFP1035	-	<b>PFP1043</b>	<b>PFP1051</b>	<b>PFP1250</b>	PFP2315
0-15 psi/kPa	<b>PFP821</b>	<b>PFP921</b>	<b>PFP601</b>	PFP2292	PFP1001	-	<b>PFP641</b>	<b>PFP656</b>	<b>PFP1091</b>	PFP2316
0-30 psi/kPa	<b>PFP822</b>	<b>PFP922</b>	<b>PFP602</b>	PFP2293	<b>PFP1002</b>	-	<b>PFP642</b>	<b>PFP657</b>	<b>PFP1092</b>	<b>PFP2317</b>
0-60 psi/kPa	<b>PFP823</b>	<b>PFP923</b>	<b>PFP603</b>	PFP2294	<b>PFP1003</b>	-	<b>PFP643</b>	<b>PFP658</b>	<b>PFP1093</b>	PFP2318
0-100 psi/kPa	<b>PFP824</b>	<b>PFP924</b>	<b>PFP604</b>	PFP2295	<b>PFP1004</b>	-	<b>PFP644</b>	<b>PFP659</b>	PFP1094	<b>PFP2319</b>
0-160 psi/kPa	<b>PFP825</b>	<b>PFP925</b>	<b>PFP605</b>	PFP2296	<b>PFP1005</b>	-	<b>PFP645</b>	<b>PFP660</b>	<b>PFP1095</b>	<b>PFP2320</b>
0-200 psi/kPa	<b>PFP826</b>	<b>PFP926</b>	<b>PFP606</b>	PFP2297	<b>PFP1006</b>	-	<b>PFP646</b>	<b>PFP661</b>	<b>PFP1096</b>	PFP2321
0-300 psi/kPa	<b>PFP827</b>	<b>PFP927</b>	<b>PFP607</b>	PFP2298	<b>PFP1007</b>	-	<b>PFP647</b>	<b>PFP662</b>	PFP1097	<b>PFP2322</b>
0-400 psi/kPa	<b>PFP880</b>	PFP881	<b>PFP610</b>	PFP2299	<b>PFP1016</b>	-	<b>PFP650</b>	<b>PFP666</b>	<b>PFP1251</b>	<b>PFP2323</b>
0-600 psi/kPa	<b>PFP828</b>	<b>PFP928</b>	<b>PFP608</b>	PFP2300	<b>PFP1008</b>	-	<b>PFP648</b>	<b>PFP663</b>	<b>PFP1098</b>	PFP2324
0-1,000 psi/kPa	<b>PFP829</b>	<b>PFP929</b>	<b>PFP609</b>	PFP624	-	<b>PFP1009</b>	<b>PFP649</b>	<b>PFP664</b>	PFP1099	PFP2325
0-1,500 psi/kPa	<b>PFP834</b>	<b>PFP934</b>	-	PFP625	-	<b>PFP1010</b>	PFP2301	<b>PFP665</b>	<b>PFP1252</b>	<b>PFP1190</b>
0-2,000 psi/kPa	<b>PFP830</b>	<b>PFP930</b>	-	<b>PFP626</b>	-	<b>PFP1011</b>	PFP2302	<b>PFP667</b>	<b>PFP1253</b>	<b>PFP1191</b>
0-3,000 psi/kPa	<b>PFP831</b>	<b>PFP931</b>	-	<b>PFP627</b>	-	<b>PFP1012</b>	PFP2303	<b>PFP668</b>	PFP1254	<b>PFP1192</b>
0-5,000 psi/kPa	<b>PFP832</b>	<b>PFP852</b>	-	PFP628	-	<b>PFP1013</b>	PFP2304	<b>PFP669</b>	<b>PFP1255</b>	<b>PFP1193</b>
0-6,000 psi/kPa	PFP836	<b>PFP851</b>	-	PFP631	-	<b>PFP1015</b>	PFP2305	<b>PFP675</b>	PFP1259	PFP1197
0-10,000 psi/kPa	<b>PFP833</b>	<b>PFP853</b>	-	<b>PFP629</b>	-	<b>PFP1014</b>	PFP2306	<b>PFP670</b>	PFP1256	<b>PFP1194</b>
0-15,000 psi/kPa	<b>PFP835</b>	<b>PFP855</b>	-	<b>PFP630</b>	-	<b>PFP1018</b>	PFP2307	<b>PFP671</b>	PFP1257	PFP1195
0-20,000 psi/kPa	<b>PFP837</b>	-	-	<b>PFP639</b>	-	<b>PFP1019</b>	-	<b>PFP672</b>	PFP1258	<b>PFP1196</b>

Other ranges and connection sizes available upon request. 316 SS case and mountable bezel available upon request. For scale change, refer to How to Order Guide for scale codes. **For options, attach suffix to end of order code: i.e. PFP929-25UC for U-CLAMP.**

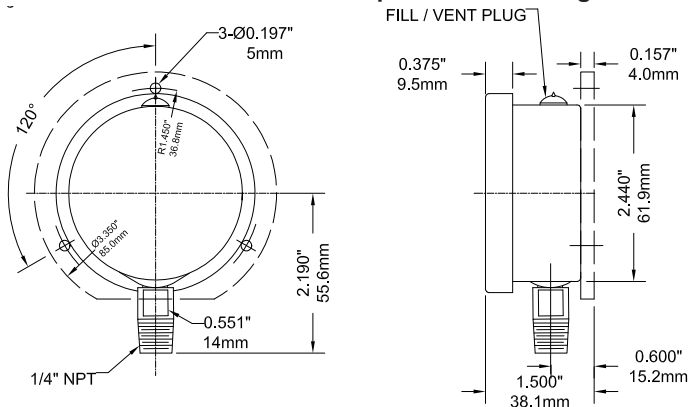
#### Option suffix:

25BF = 2.5" (63mm) Back Flange  
 25FF = 2.5" (63mm) Front Flange  
 25UC = 2.5" (63mm) U-Clamp  
 25DRY = Supply 2.5" gauge less liquid fill  
 2.5 BOOT = 2.5" (63mm) black rubber boot

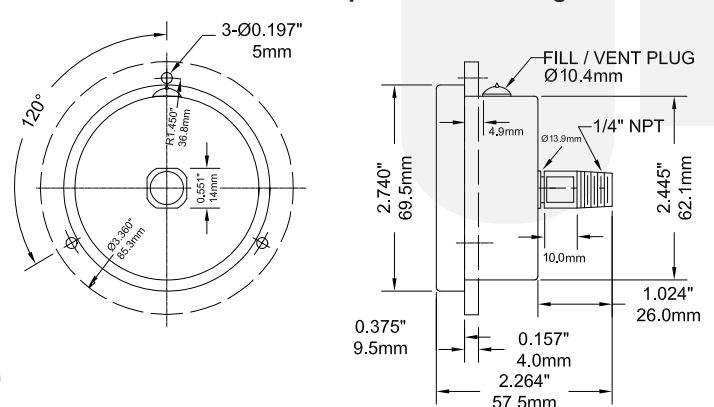
4BF = 4" (100mm) Back Flange  
 4FF = 4" (100mm) Front Flange  
 4UC-P = 4" (100mm) Premium U-Clamp  
 DRY = Supply 4" gauge less liquid fill

SF25 = Silicone Filled for 2.5"  
 SF4 = Silicone Filled for 4"  
 SG-25 = Safety Glass 2.5"  
 SG-4 = Safety Glass Lens 4"  
 REST = Restrictor Screw

#### 2.5" Bottom Connection with optional Back Flange



#### 2.5" Back Connection with optional Front Flange



### Dual Scale Order Codes (products in bold are normally in stock)

Dial Size	6" (150mm)			
Connection	1/4" Bottom	1/4" Back (LB)	1/2" Bottom	1/2" Back (LB)
Movement, Socket, Tube	SS	SS	SS	SS
30" Hg Vacuum/kPa	<b>PFP1078</b>	<b>PFP1168</b>	PFP2326	-
30"-0-15 psi/kPa	PFP1079	-	PFP2327	-
30"-0-30 psi/kPa	<b>PFP1052</b>	-	PFP2328	-
30"-0-60 psi/kPa	<b>PFP1053</b>	-	PFP2329	-
30"-0-100 psi/kPa	PFP1054	-	PFP2330	-
30"-0-150 psi/kPa	PFP1055	-	PFP2331	-
30"-0-200 psi/kPa	PFP1057	-	PFP2332	-
30"-0-300 psi/kPa	PFP1058	-	PFP2333	-
0-15 psi/kPa	<b>PFP1059</b>	PFP1159	PFP2334	-
0-30 psi/kPa	<b>PFP1060</b>	<b>PFP1160</b>	<b>PFP2335</b>	-
0-60 psi/kPa	<b>PFP1061</b>	PFP1161	PFP2336	-
0-100 psi/kPa	<b>PFP1062</b>	PFP1162	PFP2337	-
0-160 psi/kPa	<b>PFP1063</b>	PFP1163	PFP2338	-
0-200 psi/kPa	<b>PFP1064</b>	PFP1164	PFP2339	-
0-300 psi/kPa	<b>PFP1065</b>	PFP1165	<b>PFP2340</b>	-
0-400 psi/kPa	PFP1077	-	PFP2341	-
0-600 psi/kPa	<b>PFP1066</b>	PFP1166	PFP2342	-
0-1,000 psi/kPa	<b>PFP1067</b>	PFP1167	<b>PFP1080</b>	-
0-1,500 psi/kPa	<b>PFP1068</b>	-	PFP1081	<b>PFP1169</b>
0-2,000 psi/kPa	PFP1069	-	<b>PFP1082</b>	PFP1170
0-3,000 psi/kPa	PFP1070	-	<b>PFP1083</b>	PFP1171
0-5,000 psi/kPa	PFP1072	-	<b>PFP1085</b>	PFP1172
0-6,000 psi/kPa	-	-	PFP1089	PFP1176
0-10,000 psi/kPa	PFP1073	-	<b>PFP1086</b>	<b>PFP1173</b>
0-15,000 psi/kPa	PFP1074	-	<b>PFP1087</b>	PFP1174
0-20,000 psi/kPa	PFP1075	-	<b>PFP1088</b>	PFP1175

Other ranges and connection sizes available upon request. For scale change, refer to How to Order Guide for scale codes. **For options, attach suffix to end of order code: i.e. PFP1064-SC for SAFETY CASE.**

#### Option suffix:

6BF = 6" (150mm) Back Flange

6FF = 6" (150mm) Front Flange

6UC = 6" (150mm) U-Clamp

Dry = supply above gauge less liquid fill

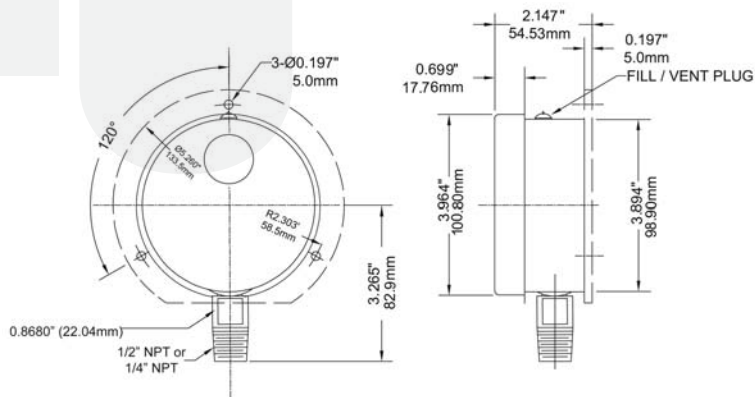
REST = Restrictor Screw

SC = Safety Case (6" bottom connection)

SG-6 = Safety Glass Lens 6"

SF6 = Silicone Filled for 6"

#### 4" Bottom Connection, Back Flange Option



#### 6" Back Connection with Front Flange

