

Specific&Performance

- Pressure Range: From 0...1bar to 0...600bar
- Anti-corrosive wetted parts
- Compact design for narrow space installation
- Cost-effective products
- CE certification

Application

- HVAC
- OEM customer
- Water Treatment



Specification

Sensor technology	Ceramic capacitance				
Pressure range	Minimum 0...1bar, Maximum 600bar				
Accuracy(25°C)	0.5% FSO				
Zero thermo drift	≤0.05% of URL per °C				
Span thermo drift	≤0.05% of URL per °C				
Long term drift	0.5% of URL per year				
IP protection	IP65 or IP67(Depending on electrical connection)				
Temperature	Compensation range	Environment temperature	Storage temperature		
	-10-80°C	-40-85°C	-40-125°C		
Output signal	4-20mA 2wires	0.5-4.5V 3wires	0.5-4.5V 3wires		
Supply voltage	12-30VDC	5V±10%	10-30VDC		
Load in Ω	RL≤(Us-10V)/20mA	RL≥100K			
Electric protection	Reversed polarity	Short circuit	Resist voltage		
	Protected	Protected	30V		
Insulation resistance	> 100MΩ under 500VDC				
Process connection	Please refer the ordering code				
Service life	10 million load cycles				
Response time(10%....90%)	≤10mS				
Material	Housing	Process connection	Diaphragm	Sensor sealing	Cable
	304 SS	304 SS or 316 SS	Ceramic	FKM	PUR

Pressure range

Rel pressure (unit bar)

Pressure range		0-1	0-1.6	0-2.5	0-4	0-6
Over pressure		1.5	2.4	3.75	6	9
Ordering code		17	18	19	20	21

Pressure range		0-10	0-16	0-25	0-40	0-60
Over pressure		15	24	37.5	60	90
Ordering code		22	23	24	25	26

Pressure range		0-100	0-160	0-250	0-400	0-600
Over pressure		150	240	375	600	900
Ordering code		27	28	29	30	31

Abs pressure (unit bar)

Pressure range		0-1	0-1.6	0-2.5	0-4	0-6
Over pressure		1.5	2.4	3.75	6	9
Ordering code		17	18	19	20	21

Pressure range		0-10	0-16	0-25	0-40	0-60
Over pressure		15	24	37.5	60	90
Ordering code		22	23	24	25	26

Vacuum pressure(unit bar)

Pressure range		-1-0	-1-0.6	-1-1.5	-1-3	-1-5
Over pressure		1.5	2.4	3.75	6	9
Ordering code		56	57	58	59	60

Pressure range		-1-9	-1-15	-1-24	-1-39	
Over pressure		15	24	37.5	60	
Ordering code		61	62	63	64	

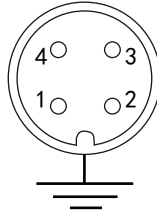
Electrical connection

"-" means non

	Connection thread	Cable dia(mm)	IP protection	Code
DIN 43650C	-	4-6	IP65	D1
M12*1(4pin)	M12*1	-	IP67	D2
1m cable	-	7.5	IP65	T3
Packard	Packard	-	IP67	D6

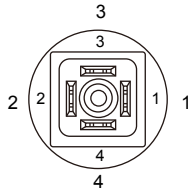
Connection pins

M12*1



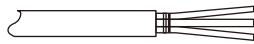
Pin	2-wire	3-wire
1	Power "+"	Power "+"
2	Power "-"	Signal "+"
3		Power "-"
4		

DIN 43650C



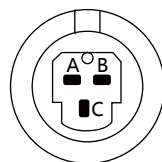
Pin	2-wire	3-wire
1	Power "+"	Power "+"
2	Power "-"	Power "-"
3		Signal "+"

1m cable



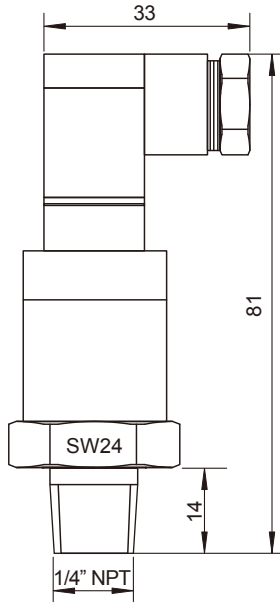
Pin	2-wire	3-wire
Red	Power "+"	Power "+"
Black		Power "-"
Green/Blue	Power "-"	Signal "+"

Packard

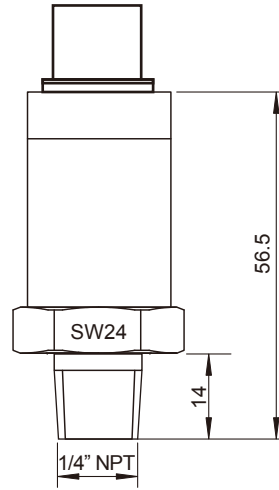


Pin	2-wire	3-wire
A		Power "-"
B	Power "+"	Power "+"
C	Power "-"	Signal "+"

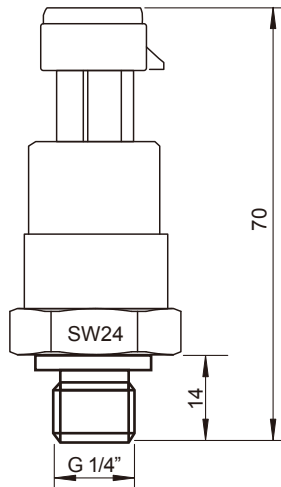
Dimensions (mm)



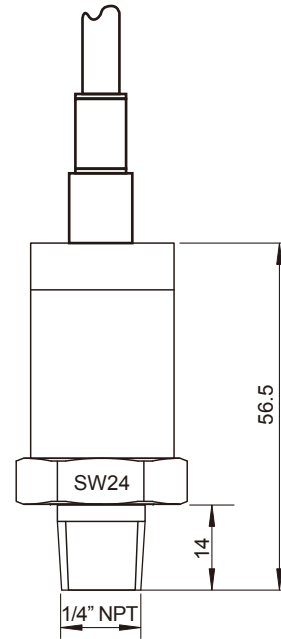
DIN 43650 C



M12*1(4pins)

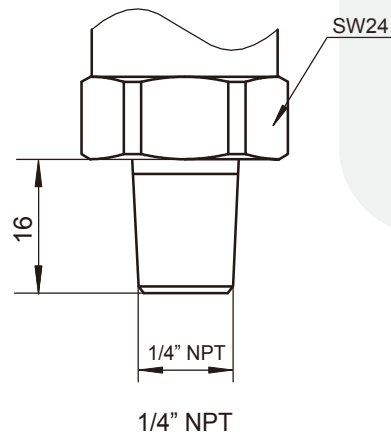
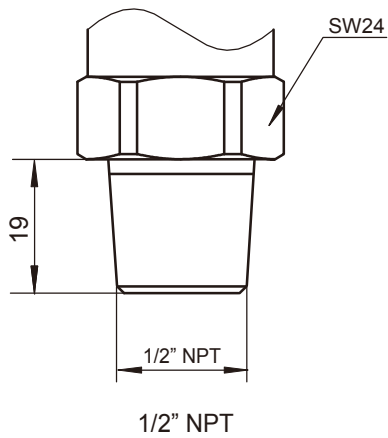
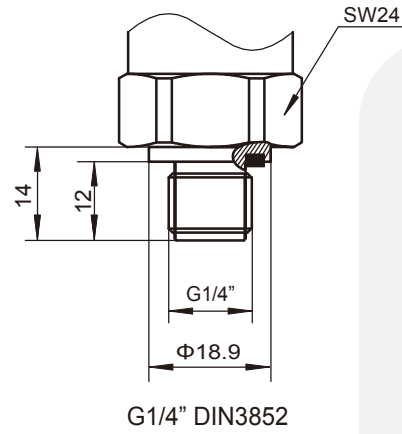
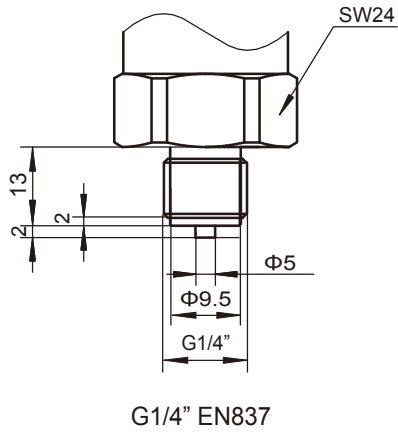
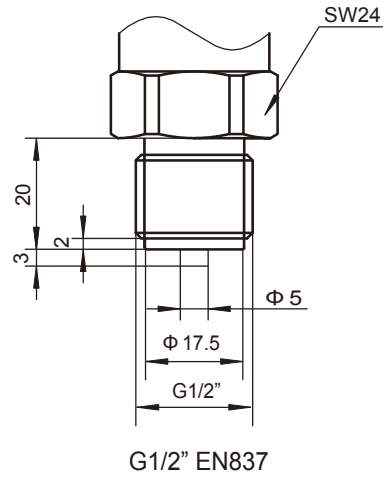
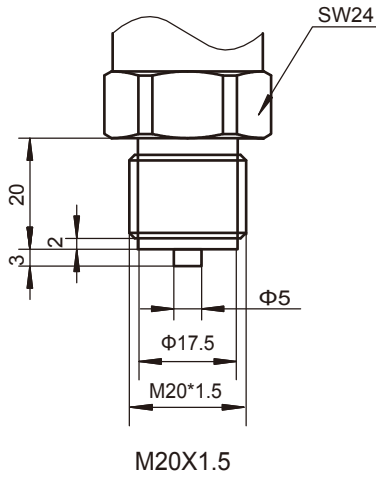


Packard



1m cable

Thread dimensions (mm)



LE1 ordering code

	Code	Specification
1.	<input type="text"/> LE1	Series
		Pressure type
2.	<input type="text"/> G	Rel
	<input type="text"/> A	Abs
3.	<input type="text"/>	Pressure range
	<input type="text"/> XXXX	Please refer the range in Page 2
		Output signal
4.	<input type="text"/> 1	4-20mA 2-wire
	<input type="text"/> 2	0.5-4.5V ratio 3-wire
	<input type="text"/> 3	0.5-4.5V 3-wire
		Electric connection
5.	<input type="text"/> 1	DIN 43650 C
	<input type="text"/> 2	M12*1 (4pin)
	<input type="text"/> 3	1m cable
	<input type="text"/> 4	Packard
		Thread material
6.	<input type="text"/> 4	304 SS
	<input type="text"/> 6	316 SS
		Process connection
7.	<input type="text"/> 1	G1/2" EN837
	<input type="text"/> 2	G1/4" EN837
	<input type="text"/> 3	1/2"NPT
	<input type="text"/> 4	1/4"NPT
	<input type="text"/> 5	G1/4" DIN3852
	<input type="text"/> 6	M20*1.5