

Filter/regulator for outdoor use

WW4000/WW8000-W Series

A series of outdoor specification products.

● Port size: 1/4 to 1

JIS symbol



Specifications

Item	WW4000-W	WW8000-W
Working fluid	Compressed air	
Max. working pressure MPa	1.0 (≈150 psi, 10 bar) *1, *2	
Proof pressure MPa	1.5 (≈220 psi, 15 bar)	
Fluid temperature °C	5 (41°F) to 60 (140°F)	
Ambient temperature °C	-10 (14°F) to 60 (140°F) (no freezing)	
Filtration rating μm	5 or 0.3	
Set pressure MPa	0.05 (≈7.3 psi, 0.5 bar) to 0.85 (≈120 psi, 8.5 bar)	
Pressure relief	With relief mechanism	
Drain capacity cm ³	80	80 (*3)
Port size Rc,NPT,G	1/4,3/8,1/2	3/4,1
Weight kg	1.1	2.3

- *1: In the case of "F" with auto-drain, the min. working pressure of auto-drain is 0.1 MPa or more.
Air is purged with initial drainage until pressure reaches 0.1 MPa.
- *2: In the case of "F1" with auto-drain, the min. working pressure of auto-drain is 0.15 MPa.
- *3: Up to 170 cm³ is stored with the manual cock only.

Option weight

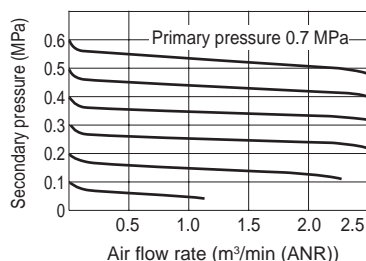
* Add to the weight of the standard accessories.

Unit: kg

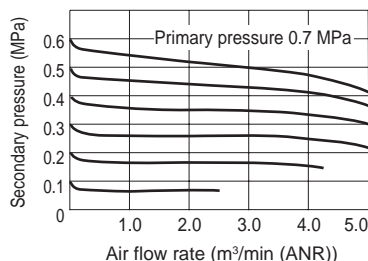
Code	Drain discharge		Knob	Attachment
	F	F1	K	BW
WW4000	0.02	0.02	0.1	0.21
WW8000	0.02	0.02	0.1	0.36

Flow characteristics

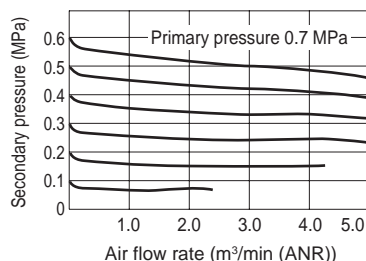
● WW4000-8-W



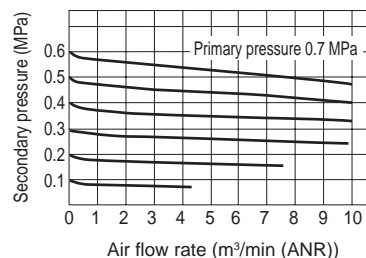
● WW4000-10-W



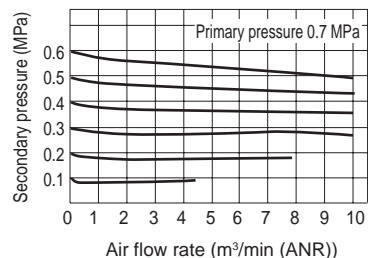
● WW4000-15-W



● WW8000-20-W

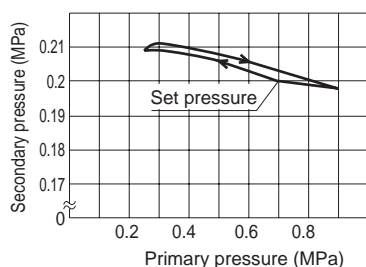


● WW8000-25-W

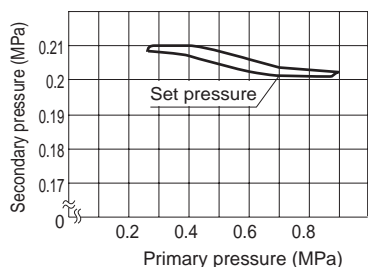


Pressure characteristics

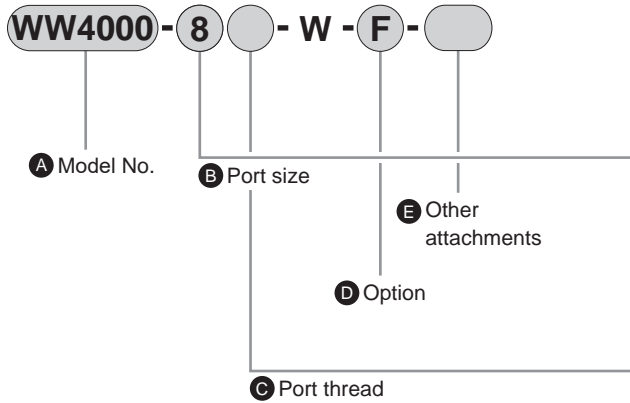
● WW4000-W



● WW8000-W



How to order



Code		Description		A Model No.	
				WW4000	WW8000
B Port size					
8	1/4	●			
10	3/8	●			
15	1/2	●			
20	3/4				●
25	1				●
C Port thread					
				*1, *2	
Blank	Rc thread (pressure unit: MPa temperature display unit: °C)	●	●		
N	NPT thread (pressure unit: psi temperature display unit: °F)	●	●		
G	G thread (pressure unit: bar temperature display unit: °C)	●	●		
D Option					
				*3, *4	
Drain discharge	Blank	With manual cock		●	●
	F	Auto-drain with manual override (NO: Exhaust when not pressurized)		●	●
	F1	Auto-drain, man OVRD (NC: no press→no exhaust)		●	●
Element	Blank	5 μm		●	●
	Y	0.3 μm (submicron) *5		●	●
Knob	Blank	Without knob		●	●
	K	With knob		●	●
Warranty period	Blank	1 year after delivery		●	●
	G	3 years after delivery *6, 7 (with inspection certificate, inspection guidelines, traceability system diagram)		●	●
Flow direction	Blank	Standard flow (left → right)		●	●
	X1	Reverse flow (right → left)		●	●
E Other attachments					
				Page 346	
Blank	Not included			●	●
BW	C-bracket			●	●
GW49P	Pressure gauge (GW49D-6-P10) *8			●	●

F.R.L.
F.R.
F (Filtr)
R (Reg)
L (Lub)
Drain Separ
Mech Press SW
Res press exh valve
SlowStart
Anti-bac/Bac-remove Filtr
Film Resist FR
Oil-ProhR
Med Press FR
No Cu/ PTFE FRL
Outdrs FRL
Adapter Joiner
Press Gauge
CompFRL
LgFRL
PrecsR
VacF/R
Clean FR
ElecPneuR
AirBoost
Speed Ctrl
Silncr
CheckV/ other
Fit/Tube
Nozzle
Air Unit
PresCompn
Electro Press SW
ContactSW
AirSens
PresSW Cool
Air Flo Sens/Ctrl
WaterRISens
TotAirSys (Total Air)
TotAirSys (Gamma)
Gas generator
RefrDry
DesicDry
HiPolymDry
MainFiltr
Dischrg etc
Ending

⚠ Precautions for model No. selection

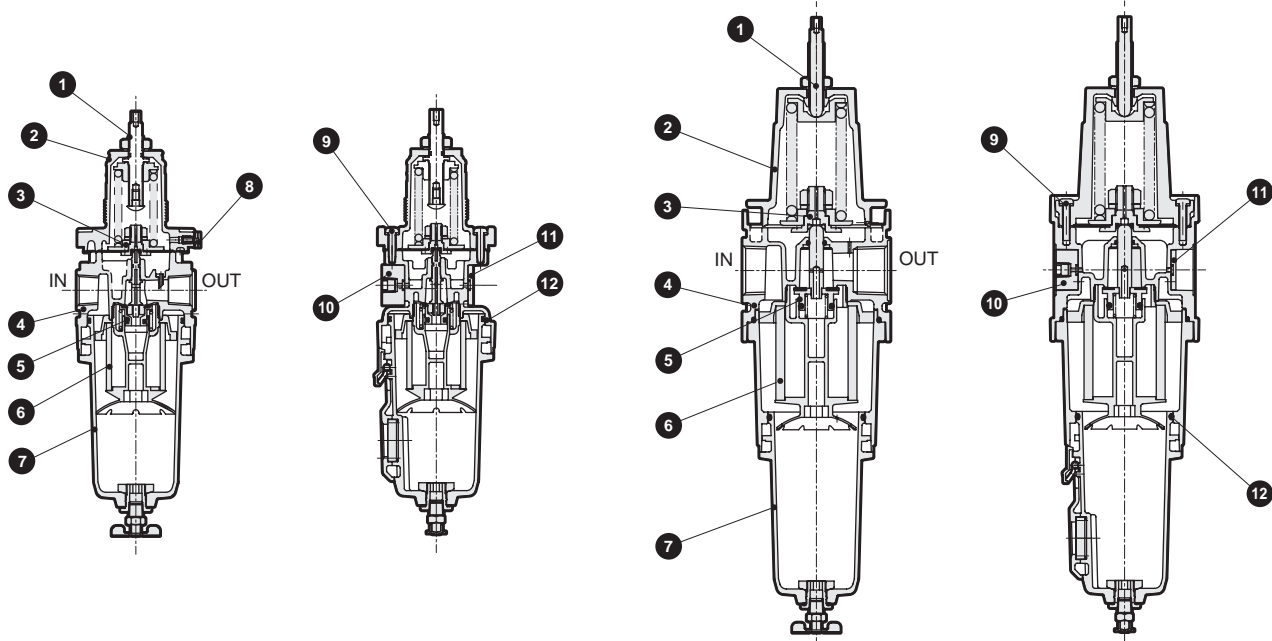
- *1 : G and NPT threads are available for IN, OUT, gauge port and drain outlet of auto-drain.
- *2 : NPT and G threads are sold for overseas use.
Select the Rc thread in the case of those for the Japanese market.
(In the case of those for the Japanese market, the pressure unit must be MPa and temperature display must be °C due to the Measurement Act.)
- *3 : Select options for the drainage, element, knob, warranty period and flow direction.
When selecting options for several items, list options in order from the top.
- *4 : Refer to page 280 for the auto-drain usage conditions.
- *5 : Refer to page 330 for max. processing flow rate when option "Y" is selected.
- *6 : The warranty period of option G is 3 years from the date of delivery or 1 year from initial use.
- *7 : For option G, the specifications and drawings must be agreed upon.
- *8 : The pressure gauge cannot be included when using NPT threads or G threads.
(Consult with CKD if required.)

Filter/Regulator Series

F.R.L. Internal structure and parts list

F.R. ● WW4000-W ● WW8000-W

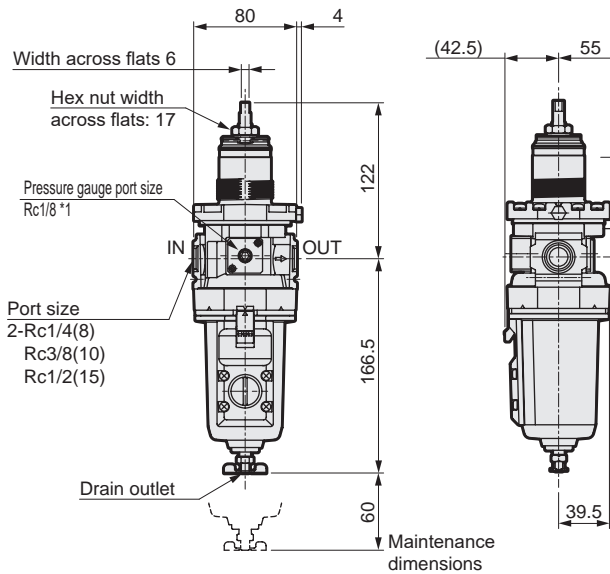
- F (Filtr)
- R (Reg)
- L (Lub)
- Drain Separ
- Mech Press SW
- Res press exh valve
- SlowStart
- Anti-bac/Bac-remove Filt
- Film Resist FR
- Oil-ProhR
- Med Press FR
- No Cu/ PTFE FRL
- Outdris FRL
- Adapter Joiner
- Press Gauge
- CompFRL
- LgFRL
- PrecsR
- VacFR
- Clean FR
- ElecPneuR
- AirBoost
- Speed Ctrl
- Silncr
- CheckV/ other
- Fit/Tube
- Nozzle
- Air Unit
- PrecsCompn
- Electro Press SW
- ContactSW
- AirSens
- PresSW Cool
- Air Flo Sens/Ctrl
- WaterRiSens
- TotAirSys (Total Air)
- TotAirSys (Gamma)
- Gas generator
- RefrDry
- DesicDry
- HiPolymDry
- MainFiltr
- Dischrg etc
- Ending



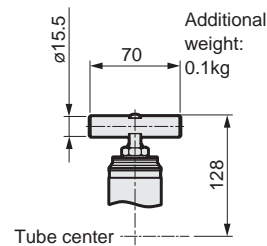
No.	Part name	Material
1	Adjusting screw assembly	Stainless steel (aluminum, nitrile rubber, polyacetal resin: WW4000 only)
2	Cover	Aluminum alloy die-casting
3	Diaphragm assembly	Stainless steel, nitrile rubber, aluminum
4	Body	Aluminum alloy die-casting
5	Valve assembly	Copper alloy, hydrogenated nitrile rubber (polyacetal resin: WW4000 only)
6	Element	Polypropylene
7	Metal bowl assembly	Aluminum alloy die-casting, copper alloy, zinc, nitrile rubber
8	Adaptor	Stainless steel
9	Screws	Stainless steel
10	Gauge plug assembly	Aluminum, nitrile rubber, stainless steel
11	Seal plug assembly	Aluminum, nitrile rubber, stainless steel
12	O-ring	Special nitrile rubber

Dimensions

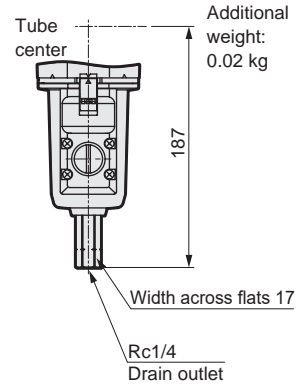
● WW4000-W



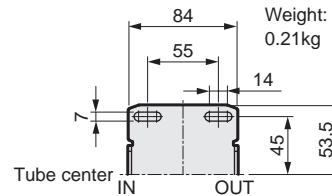
· Dimensions of options with knob (K)



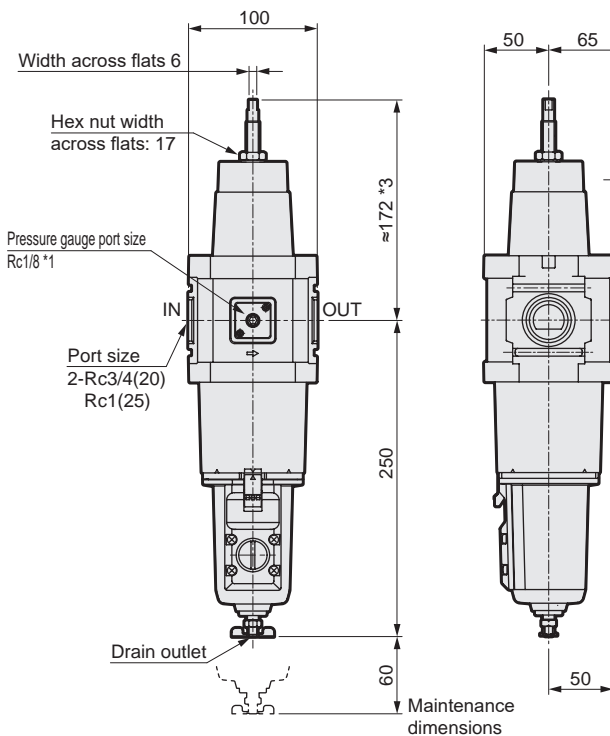
With auto-drain (F, F1)



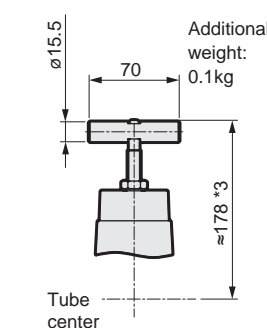
· Attachment C-bracket (-BW)
Part model No.: B420
· Material: Steel
Zinc plated



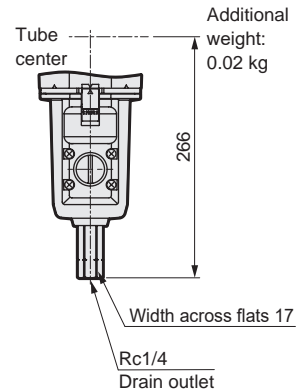
● WW8000-W



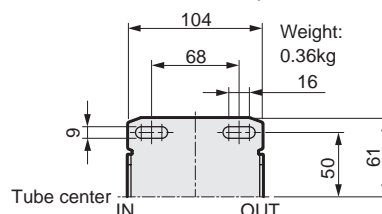
· Dimensions of options with knob (K)



With auto-drain (F, F1)



· Attachment C-bracket (-BW)
Part model No.: B820
· Material: Steel
Zinc plated



*1: The pressure gauge connection port is left open when shipped. Use the included pipe plug when sealing.
*2: Bracket is optional.
*3: Dimensions at the setting pressure of 0 MPa

F.R.L.
F.R.
F (Filtr)
R (Reg)
L (Lub)
Drain Separ
Mech Press SW
Res press exh valve
SlowStart
Anti-bac/Bac-remove Filtr
Film Resist FR
Oil-ProhR
Med Press FR
No Cu/ PTFE FRL
Outdrs FRL
Adapter Joiner
Press Gauge
CompFRL
LgFRL
PrecsR
VacF/R
Clean FR
ElecPneuR
AirBoost
Speed Ctrl
Silncr
CheckV/ other
Fit/Tube
Nozzle
Air Unit
PrecsCompn
Electro Press SW
ContactSW
AirSens
PresSW Cool
Air Flo Sens/Ctrl
WaterR/Sens
TotAirSys (Total Air)
TotAirSys (Gamma)
Gas generator
RefrDry
DesicDry
HiPolymDry
MainFiltr
Dischrg etc
Ending