



Filter/regulator standard white Series

W1000/W3000/W4000/W8000-W Series

New Series of 5 µm elements for dust removal, and 0.3 µm elements for tar removal.
Port size: 1/8 to 1

JIS symbol



Specifications

Descriptions	W1000-W	W3000-W	W4000-W	W8000-W
Appearance				
Working fluid	Compressed air			
Max. working pressure MPa	1.0 Note 2, 3, 4			
Withstanding pressure MPa	1.5, Note 2			
Ambient temperature range °C	5 to 60 Note 5			
Filtration rating µm	5	5 or 0.3		
Set pressure range MPa	0.05 to 0.85 Note 2	0.05 to 0.85		
Relief	With relief mechanism			
Drain capacity cm ³	12	45	80	80 (Note 1)
Port size Rc, NPT, G	1/8, 1/4 (3/8 uses an adapter)	1/4, 3/8 (1/2 uses an adapter)	1/4, 3/8, 1/2 (3/4 uses an adapter)	3/4, 1 (1 1/4 uses an adapter)
Product weight kg	0.175	0.6	0.9	2.0
Standard accessories	Pressure gauge, bowl guard			

Note 1: Drainage accumulates up to 170 cm³ only with the manual drain cock.

Note 2: When "F1" with an automatic drain is selected for the W1000-W series, minimum operating pressure is 0.2 MPa, maximum operation pressure is 0.7 MPa and the guaranteed pressure resistance is 1.05 MPa. Refer to the maximum processing flow table (page 83) for the F1000-W-F1 automatic drain for the maximum working flow. Set the working flow to less than the maximum working flow.

Note 3: Minimum operating pressure of automatic drain is 0.1MPa for "F" with automatic drain.

Air is purged with initial drainage until pressure reaches 0.1 MPa.

Note 4: The minimum operation pressure of the automatic drain is 0.15 MPa for the "F1" with an automatic drain.

Note 5: The working temperature range of the pressure switch with indicator PPD assembly "R1" is 5 to 50°C.

Ozone specifications

(Page 181)

W*000-.....-W-.....- P11

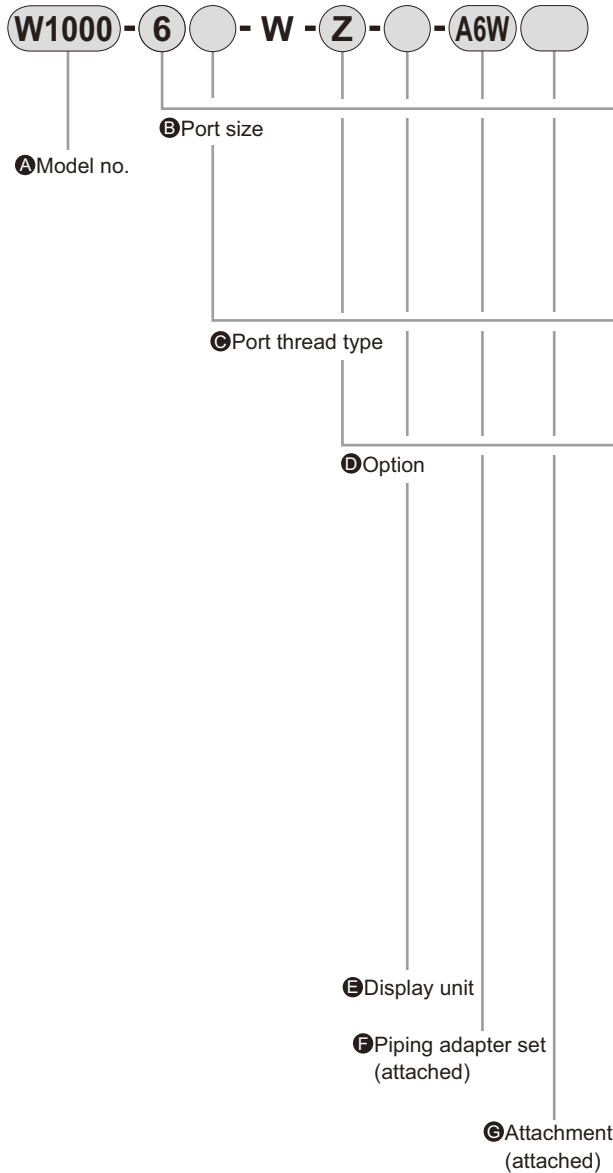
Clean room specifications

(Catalog No. CB-033SA)

● Dust generation preventing structure for use in cleanrooms

W*000-.....- P7*

How to order



* Refer to page 9 for explanation of an option.

A Model no.			
W	W	W	W
1	3	4	8
0	0	0	0
0	0	0	0
0	0	0	0

Symbol	Descriptions				
B Port size					
6	1/8	●			
8	1/4	●	●	●	
10	3/8		●	●	
15	1/2			●	
20	3/4				●
25	1				●

C Port thread type		Note 1			
Blank	Rc thread	●	●	●	●
N	NPT thread	●	●	●	●
G	G thread	●	●	●	●

D Option		Note 2				
Drainage	Blank	With manual drain cock	●	●	●	●
	F	Automatic drain with manual override (NO type: Exhaust without pressurized)		●	●	●
	F1	Automatic drain with manual override (NC type: No exhaust without pressurized)	●	●	●	●
	FF	Large automatic drain with manual override (NO type: Exhaust without pressurized)				●
Note 3	FF1	Large automatic drain with manual override (NC type: No exhaust without pressurized)				●
	Blank	Polycarbonate bowl	●	●	●	●
	Z	Nylon bowl	●	●	●	●
	M	Metal bowl		●	●	●
Bowl material	M1	Metal bowl with manual drain cock		●	●	●
	Blank	5µm	●	●	●	●
	Y	0.3µm (submicron) Note 4		●	●	●
Element	Blank	0.05 to 0.85MPa	●	●	●	●
	L	0.05 to 0.35MPa	●	●	●	●
Pressure range	Blank	With relief mechanism	●	●	●	●
	N	Nonrelief type	●	●	●	●
Relief	Blank	With standard pressure gauge (G401-W)	●	●	●	●
	T	Without pressure gauge (a pressure gauge port (Rc1/4) is assembled with sealed)	●	●	●	●
	T8	Pressure gauge attached (a pressure gauge port (Rc1/4) is assembled by open)	●	●	●	●
	T6	Digital pressure sensor PPX attached option	●	●	●	●
Pressure gauge	R1	Pressure switch with display PPD assembly	●	●	●	●
	Blank	Standard flow (left → right)	●	●	●	●
Flow direction	X1	Reverse flow (right → left)	●	●	●	●

E Display unit					
Blank	MPa display, Rc thread	●	●	●	●
J1	MPa display, NPT, G thread	●	●	●	●

F Piping adapter set (attached)		Note 6 Pages 151 to 153			
Blank	Not attached	●	●	●	●
A6*W	1/8 piping adapter set	●			
A8*W	1/4 piping adapter set	●	●	●	
A10*W	3/8 piping adapter set	●	●	●	
A15*W	1/2 piping adapter set		●	●	
A20*W	3/4 piping adapter set			●	●
A25*W	1 piping adapter set				●
A32*W	1 1/4 piping adapter set				●

* Adaptor screw type					
Blank	Rc thread	●	●	●	●
N	NPT thread	●	●	●	●
G	G thread	●	●	●	●

G Attachment (attached)		Pages 148,194			
Blank	Not attached	●	●	●	●
BW	C type bracket	●	●	●	●
B3W Note 7	L type bracket	●	●	●	●
G49P	G49D-8-P10 (L: G49D-8-P04)	●	●	●	●
G59P	G59D-8-P10 (L: G59D-8-P04)	●	●	●	●
G40P	G40D-8-P10 (L: G40D-8-P04)	●	●	●	●
G50P	G50D-8-P10 (L: G50D-8-P04)	●	●	●	●
G41P	G41D-8-P10 (L: G41D-8-P04)	●	●	●	●
G52P	G52D-8-P10 (L: G52D-8-P10)	●	●	●	●
R2 Note	Digital pressure sensor: PPX-R10N-6M	●	●	●	●

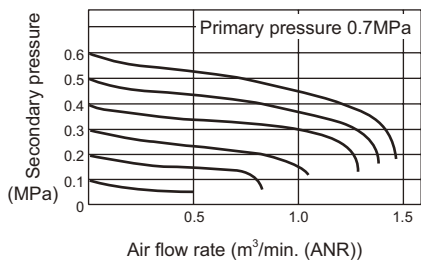
⚠ Note on model no. selection

- Note 1: When G threads or NPT threads are selected, the IN, OUT, gauge port, and drain port (metal bowl automatic drain) are available.
- Note 2: Select options per drainage, bowl material, element, and regulator sections.
When selecting options for several items, list options in order from the top.
- Note 3: Refer to page 11 for the automatic drain use conditions.
- Note 4: Refer to page 83 for maximum processing flow when option "Y" is selected.
- Note 5: When option "T6" is selected, only "blank" or "R2" is selected for the pressure gauge (enclosed). The digital pressure sensor PPX mounting port (Rc1/8) is assembled ventilated.
- Note 6: The piping adapter set and C bracket cannot be used together.
- Note 7: Refer to Section 2. Regulator, in "⚠ CAUTIONS for Installation and Adjustment" (page 14) for details on mounting the L-type bracket.
- Note 8: If NPT is selected for the piping thread type, a NPT pressure gauge is enclosed. If Rc or G thread is selected, an R thread pressure gauge is enclosed.

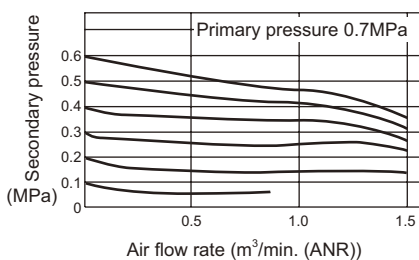
Filter/Regulator Series

Flow characteristics

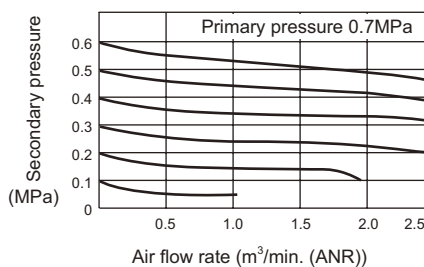
● W1000-6-W



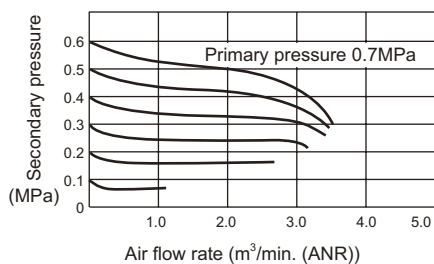
● W1000-8-W



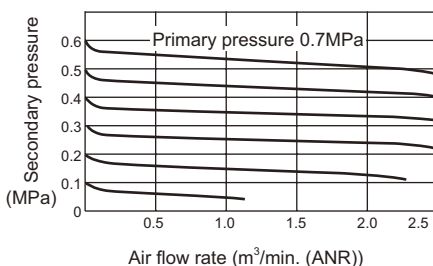
● W3000-8-W



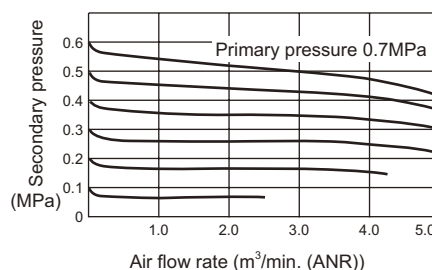
● W3000-10-W



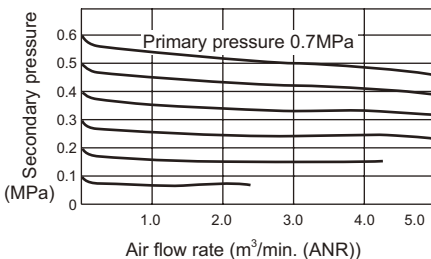
● W4000-8-W



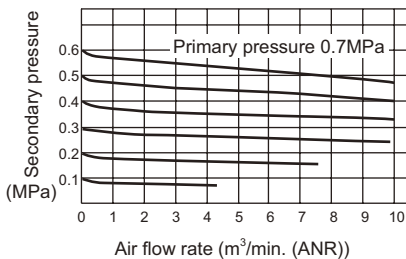
● W4000-10-W



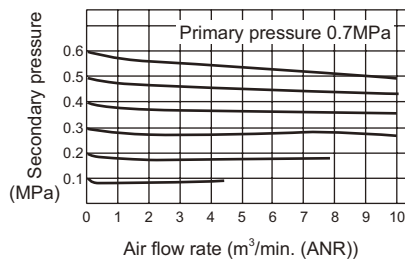
● W4000-15-W



● W8000-20-W

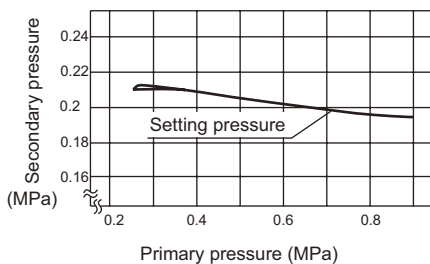


● W8000-25-W

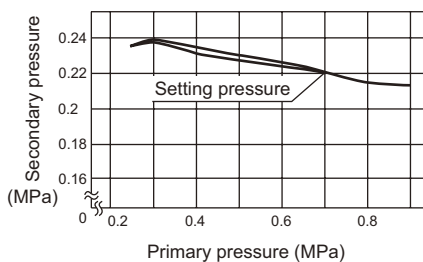


Pressure characteristics

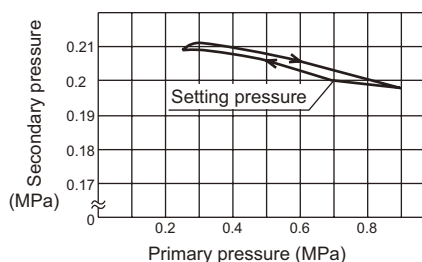
● W1000-W



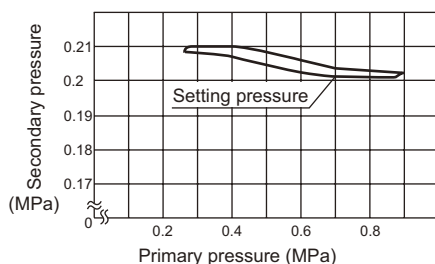
● W3000-W



● W4000-W



● W8000-W

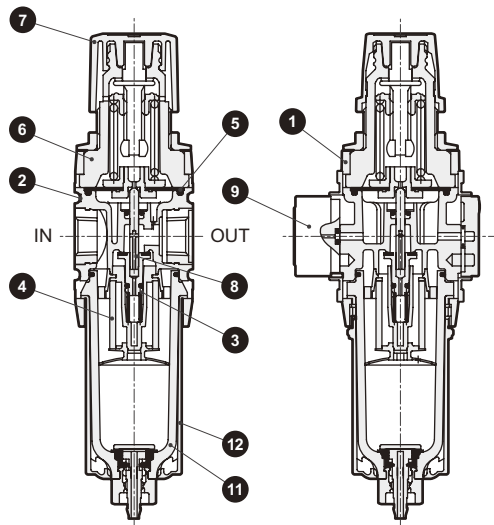


Filter/Regulator Series

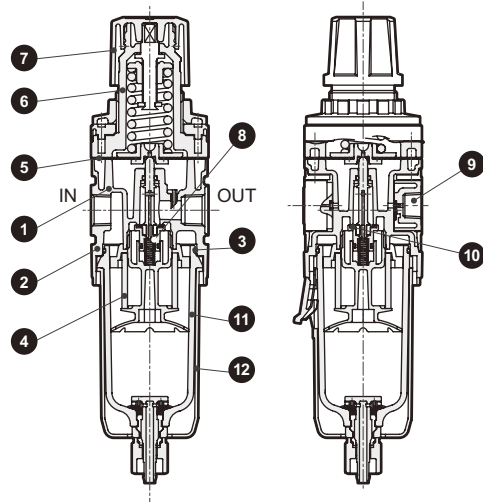
Internal structure and parts list

Internal structure and parts list

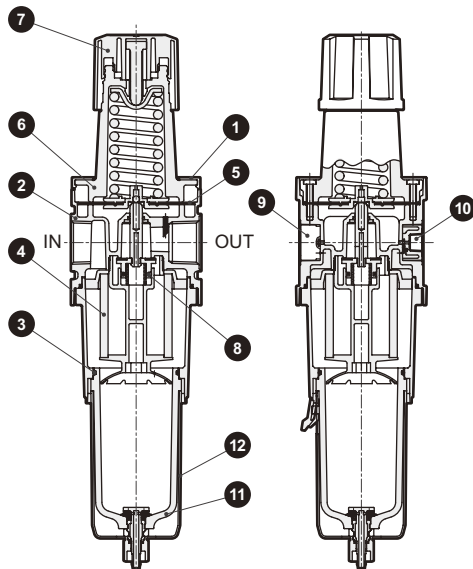
● W1000-W



● W3000-W/W4000-W



● W8100-W



No.	Part name	Material				
		W1000-W	W3000-W	W4000-W	W8000-W	
1	Plate cover	ABS resin				
2	Body	Polyamide resin, steel	Aluminum alloy die-casting			
3	O ring	Note 2	Special nitrile rubber			
4	Element	Note 1	Polyacetal resin polypropylene	Polypropylene		
5	Diaphragm assembly	Polyacetal resin polypropylene	Zinc alloy die-casting, nitrile rubber			
6	Guard	Polyamide resin	PBT resin	Aluminum alloy die-casting		
7	Knob	Polyacetal resin				
8	Valve assembly	Brass, hydrogen nitrile rubber (polyacetal resin: W3000-W, W4000-W only)				
9	Pressure gauge assembly	PBT resin, polyacetal resin, polycarbonate resin, nitril rubber, brass, steel				
10	Gauge plug assembly	-	Polyamide resin, nitrile rubber, steel			
	Blanking plug assembly	PBT resin, nitrile rubber, steel	-			
11	Bowl assembly	Polycarbonate resin, polyacetal resin, urethane rubber resin				
12	Bowl guard	Polyamide resin	Polyamide resin			

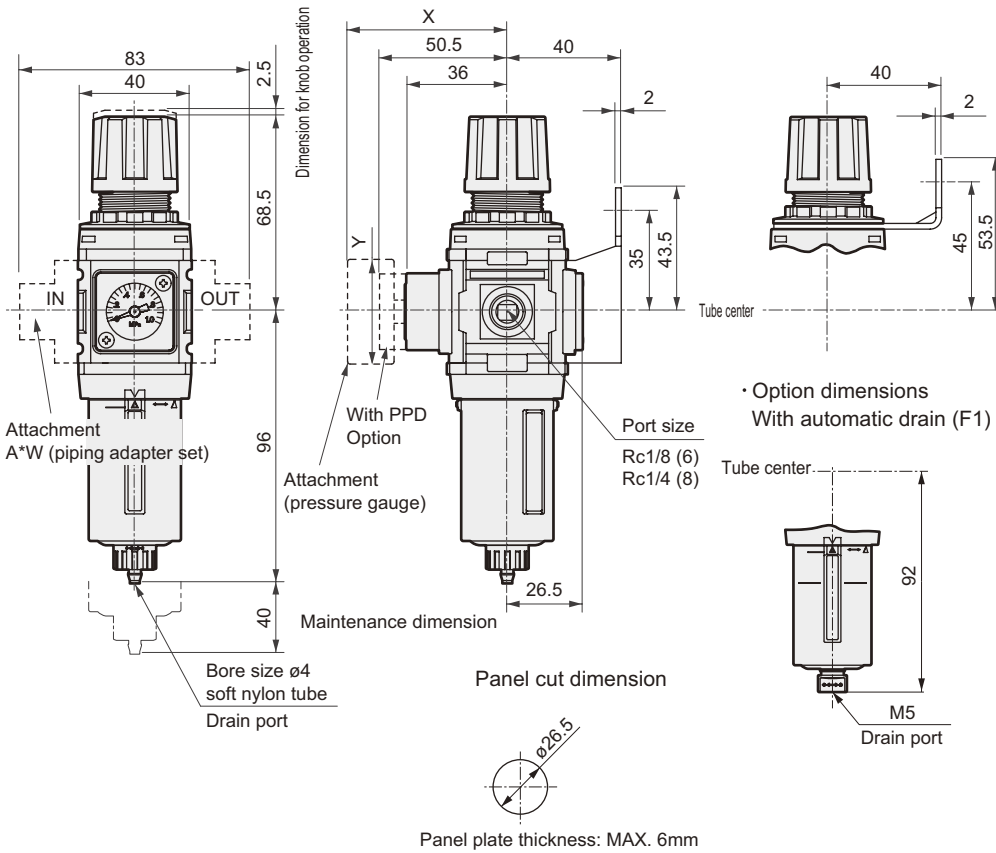
Note 1: W1000-W has an element assembly.

Note 2: The W1000-W O ring has a special shape.

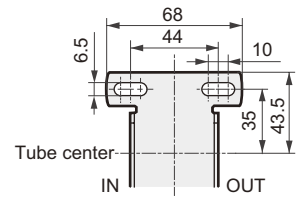
Filter/Regulator Series

Dimensions

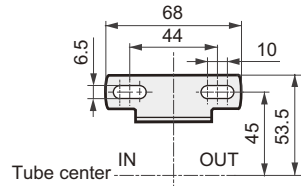
● W1000-W



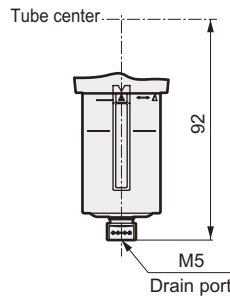
• Attachment
C type bracket (-BW)
Part model no.: B120



L type bracket (-B3W)
Part model no.: B130



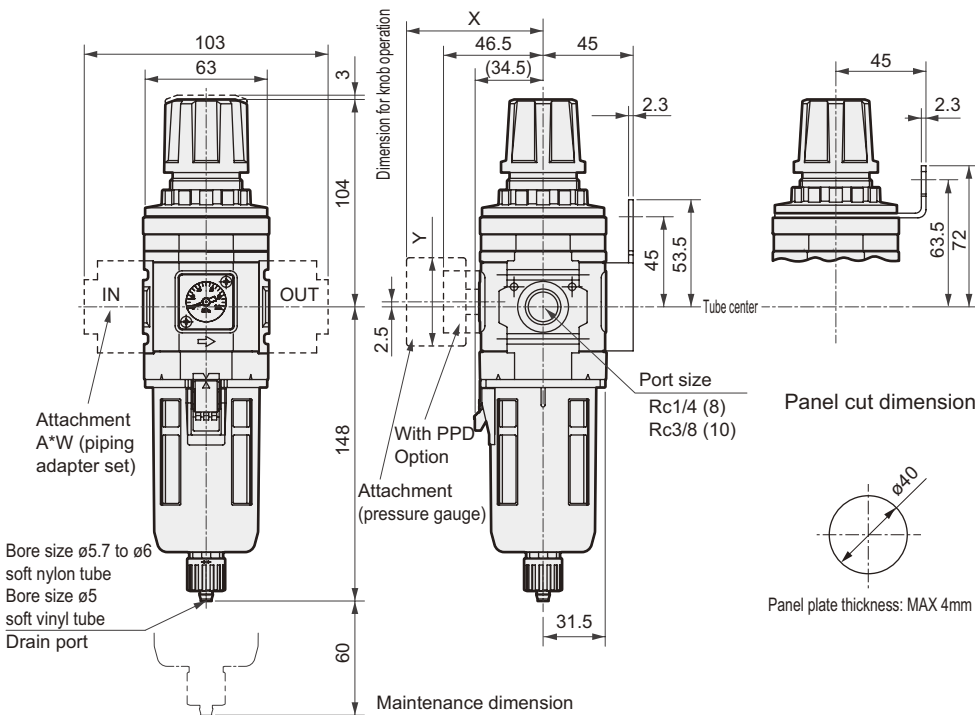
• Option dimensions
With automatic drain (F1)



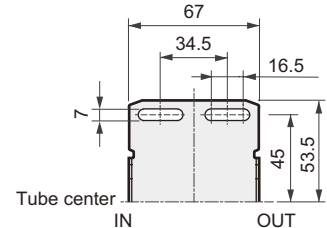
Pressure gauge attached optional dimensions table

Attached pressure gauge	X	Y
G49P	(73.5)	$\phi 43.5$
G59P	(76)	$\phi 52$
G40P	(75.5)	$\phi 42.5$
G50P	(75.5)	$\phi 52.5$
G41P	(74)	$\phi 42$
G52P	(86)	$\phi 52.5$
R2	(74)	*30

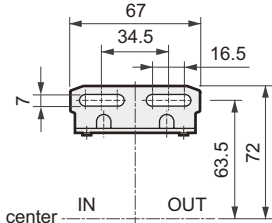
● W3000-W



• Attachment
C type bracket (-BW)
part model no.: B320



L type bracket (-B3W)
part model no.: B330



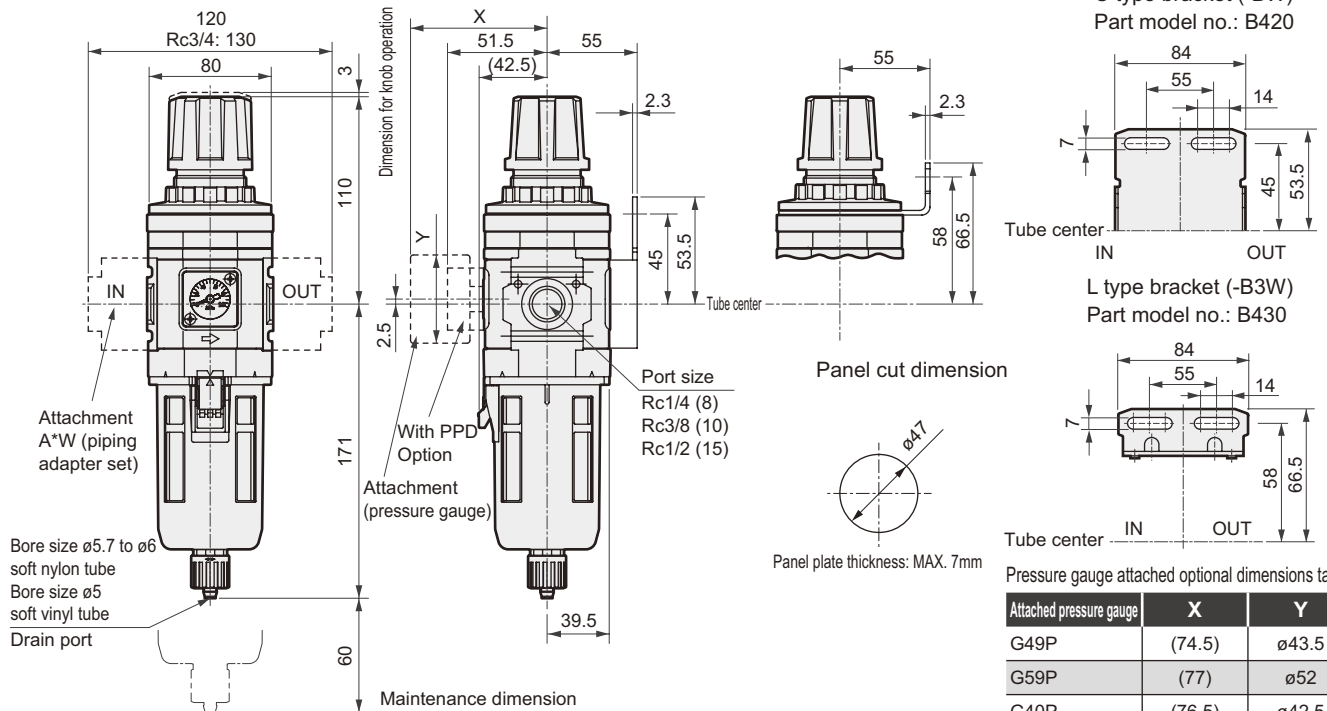
Pressure gauge attached optional dimensions table

Attached pressure gauge	X	Y
G49P	(69.5)	$\phi 43.5$
G59P	(72)	$\phi 52$
G40P	(71.5)	$\phi 42.5$
G50P	(71.5)	$\phi 52.5$
G41P	(70)	$\phi 42$
G52P	(82)	$\phi 52.5$
R2	(69.5)	*30

● For the plastic bowl, the dimensions are the same regardless of whether the manual cock or automatic drain is installed.

Dimensions

● W4000-W

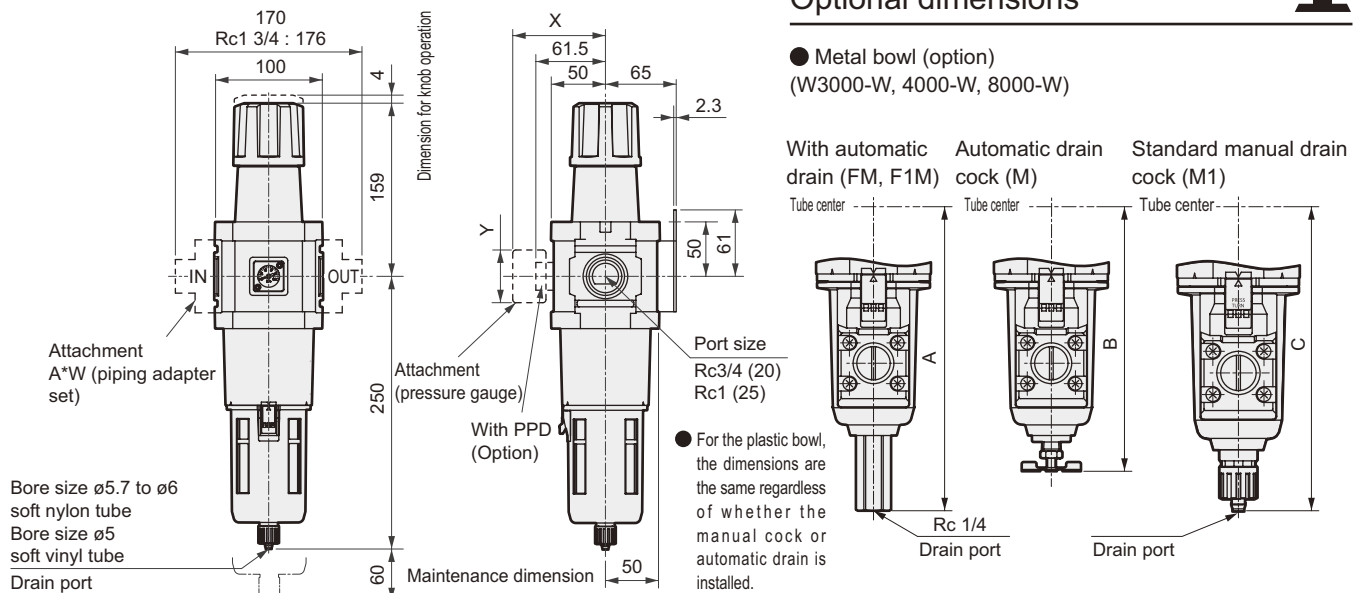


● For the plastic bowl, the dimensions are the same regardless of whether the manual cock or automatic drain is installed.

Pressure gauge attached optional dimensions table

Attached pressure gauge	X	Y
G49P	(74.5)	$\phi 43.5$
G59P	(77)	$\phi 52$
G40P	(76.5)	$\phi 42.5$
G50P	(76.5)	$\phi 52.5$
G41P	(75)	$\phi 42$
G52P	(86)	$\phi 52.5$
R2	(75)	*30

● W8000-W

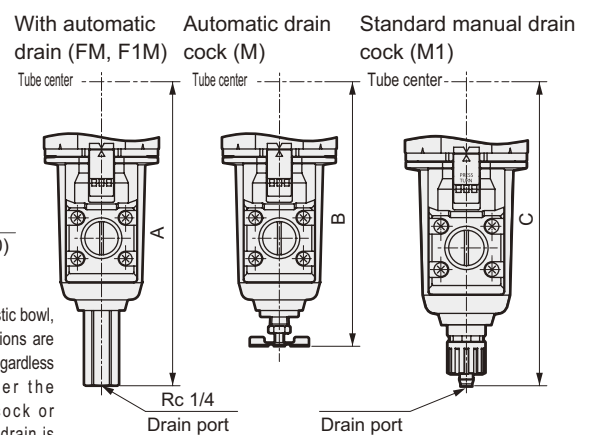


Pressure gauge attached optional dimensions table

Attached pressure gauge	X	Y
G49P	(84.5)	$\phi 43.5$
G59P	(87)	$\phi 52$
G40P	(86.5)	$\phi 42.5$
G50P	(86.5)	$\phi 52.5$
G41P	(85)	$\phi 42$
G52P	(98)	$\phi 52.5$
R2	(85)	*30

Optional dimensions

● Metal bowl (option)
(W3000-W, 4000-W, 8000-W)



Dimensions table

Model no.	F1M	M	M1
	A	B	C
W3000-W	163.5	143.5	154
W4000-W	187	166.5	177
W8000-W	266	245.5	256