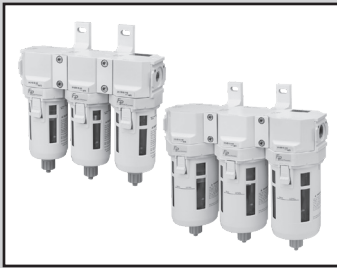


Material compatible with the Food Sanitation Act

FDA compliant materials



Anti-bacterial/
bacteria-removing filter combination

SFC307/SFC407/SFC807-FP2 Series

● Port size: 1/4 to 1/2



Specifications

Item		SFC307	SFC407	SFC807
System components	① Anti-bacterial pre-filter	SFC310	SFC410	SFC810
	② Anti-bacterial high performance filter	SFC320	SFC420	SFC820
	③ Bacteria removing filter	SFC330	SFC430	SFC830
Working fluid		Compressed air, nitrogen gas (N ₂) and carbon dioxide (CO ₂)		
Working pressure range	MPa	0.1 to 1.0		
Proof pressure	MPa	1.5		
Differential pressure-resistant	MPa	0.5		
Ambient/fluid temperatures	°C	5 to 45		
Filtration rating	µm	0.01 (removal efficiency 99.99%)		
Max. processing flow rate *1L/min (ANR)		300	500	1100
Port size	Rc, NPT, G	1/4, 3/8	1/4, 3/8, 1/2	3/4, 1
Weight	Kg	0.96	1.61	3.72
Standard accessories		Maintenance label (included)		
Element replacement		1 year (6000 hours) or pressure drop 0.1MPa		

*1: Use within the max. processing flow rate. This is the value when primary pressure is 0.7 MPa.

How to order

SFC307 - 10 - X1 - FP2

● A Model No.

● B Port size

● C Port thread

● D Flow direction

		A Model No.		
		SFC307	SFC407	SFC807
Code	Description			
B Port size				
8	1/4	●	●	
10	3/8	●	●	
15	1/2		●	
20	3/4			●
25	1			●
C Port thread				
Blank	Rc thread	●	●	●
N	NPT thread	●	●	●
G	G thread	●	●	●
D Flow direction				
Blank	Standard flow (left → right)	●	●	●
X1	Reverse flow (right → left)	●	●	●

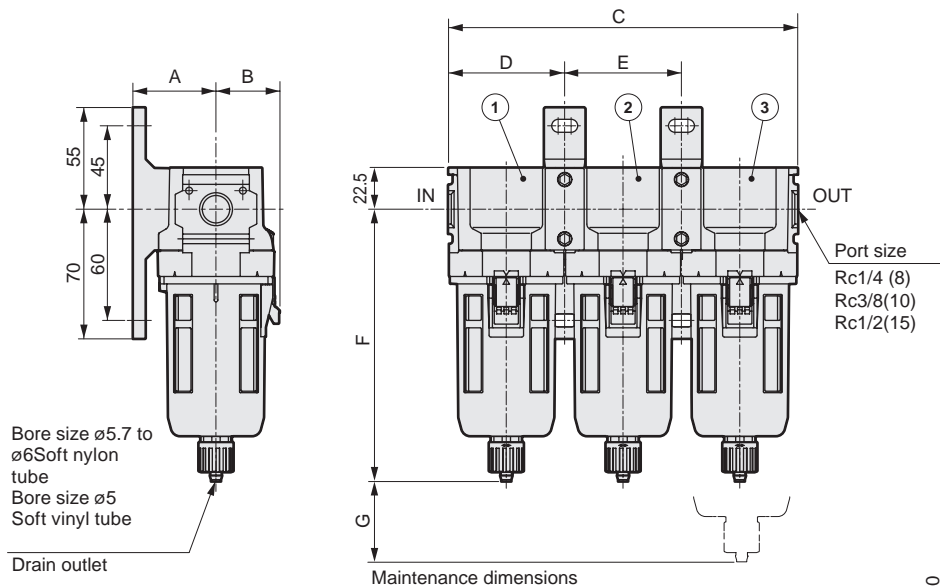
● Replacement model No. for single element unit

Element model No.	Anti-bacterial pre-filter element	Anti-bacterial high performance filter element	Bacteria-removing filter element
SFC307	SFC310-ELEMENT	SFC320-ELEMENT	SFC330-ELEMENT
SFC407	SFC410-ELEMENT	SFC420-ELEMENT	SFC430-ELEMENT
SFC807	SFC810-ELEMENT	SFC820-ELEMENT	SFC830-ELEMENT

Dimensions



● SFC307/SFC407

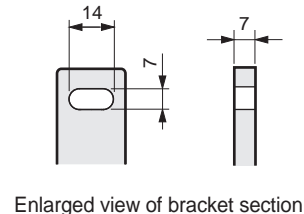


Bore size $\phi 5.7$ to $\phi 6$ Soft nylon tube
Bore size $\phi 5$ Soft vinyl tube

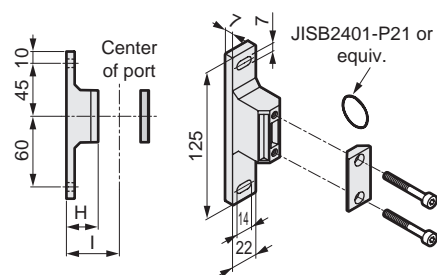
Drain outlet

No.	Series
①	Anti-bacterial pre-filter
②	Anti-bacterial high performance filter
③	Bacteria removing filter

Model No.	A	B	C	D	E	F	G	H	I
SFC307	45	(34.5)	189	63	63	148	60	27	45
SFC407	55	(42.5)	240	80	80	171	80	37	55

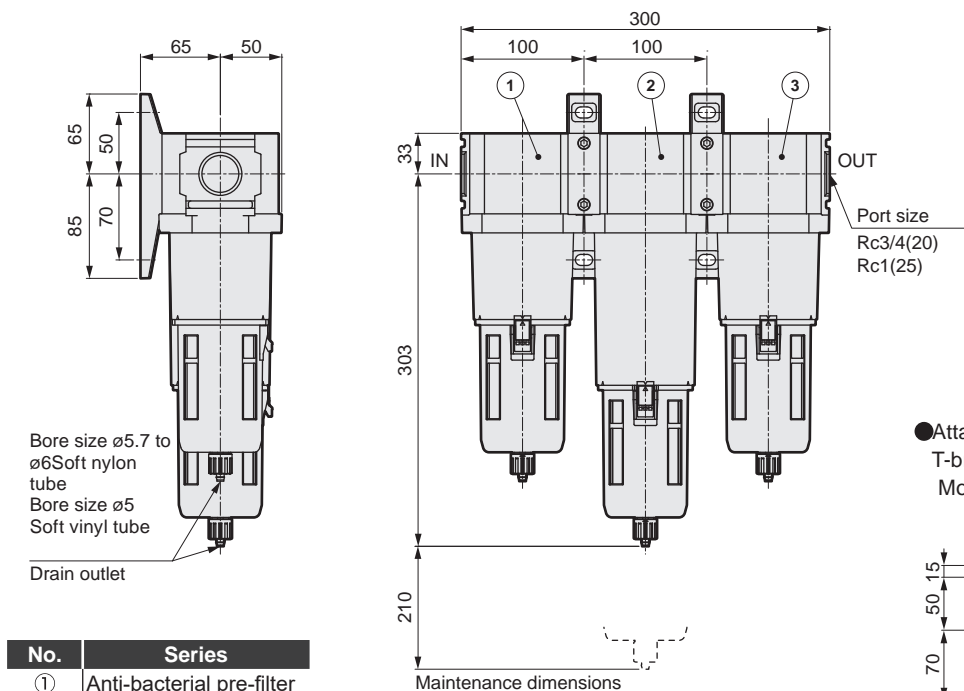


● Attachment
T-bracket
Model No.: SFB310-FP2
(Applicable models: SFC307)
SFB410-FP2
(Applicable models: SFC407)



Material: Aluminum die-casting
Stainless steel mounting screws used

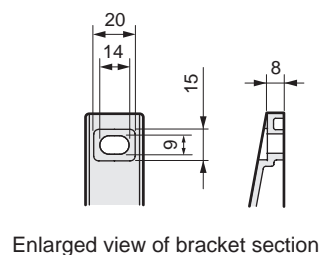
● SFC807



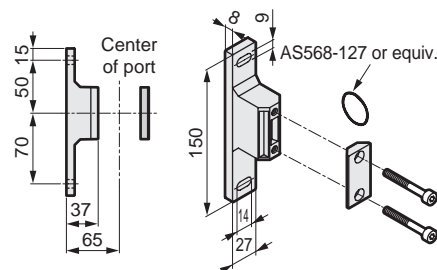
Bore size $\phi 5.7$ to $\phi 6$ Soft nylon tube
Bore size $\phi 5$ Soft vinyl tube

Drain outlet

No.	Series
①	Anti-bacterial pre-filter
②	Anti-bacterial high performance filter
③	Bacteria removing filter



● Attachment
T-bracket
Model No.: SFB810-FP2



Material: Aluminum die-casting
Stainless steel mounting screws used

Material compatible with the Food Sanitation Act

FDA compliant materials



Anti-bacterial/Bacteria removing/
Deodorizing Combination

SFC309/SFC409/SFC809-FP2 Series

● Port size: 1/4 to 1/2



Specifications

Item	SFC309	SFC409	SFC809	
System components	① Anti-bacterial pre-filter	SFC310	SFC410	SFC810
	② Anti-bacterial high performance filter	SFC320	SFC420	SFC820
	③ Deodorizing filter	SFC340	SFC440	SFC840
	④ Bacteria removing filter	SFC330	SFC430	SFC830
Working fluid	Compressed air, nitrogen gas (N ₂) and carbon dioxide (CO ₂)			
Working pressure range	MPa	0.1 to 1.0		
Proof pressure	MPa	1.5		
Differential pressure-resistant	MPa	0.5		
Ambient/fluid temperatures	°C	5 to 45		
Filtration rating	μm	0.01 (removal efficiency 99.99%)		
Secondary side oil concentration	mg/m ³	0.003 or less *2		
Max. processing flow rate *1L/min (ANR)	300	500	1100	
Port size	Rc, NPT, G	1/4, 3/8, 1/2	3/4, 1	
Weight	Kg	1.24	2.13	5.87
Standard accessories	Maintenance label (included)			
Element replacement	1 year (6000 hours) or pressure drop 0.1MPa *3			

*1: Use within the max. processing flow rate. This is the value when primary pressure is 0.7 MPa.

*2: When an oil mist filter (M Series M-type) is installed on the primary side. Be sure to install an air dryer and oil mist filter on the primary side.

*3: The replacement time is not a guaranteed value. The replacement time may be reduced depending on the product's working environment, usage conditions, etc.

How to order

SFC309 - 10 - X1 - FP2		A Model No.		
Code	Description	SFC309	SFC409	SFC809
B Port size				
8	1/4	●	●	
10	3/8	●	●	
15	1/2		●	
20	3/4			●
25	1			●
C Port thread				
Blank	Rc thread	●	●	●
N	NPT thread	●	●	●
G	G thread	●	●	●
D Flow direction				
Blank	Standard flow (left → right)	●	●	●
X1	Reverse flow (right → left)	●	●	●

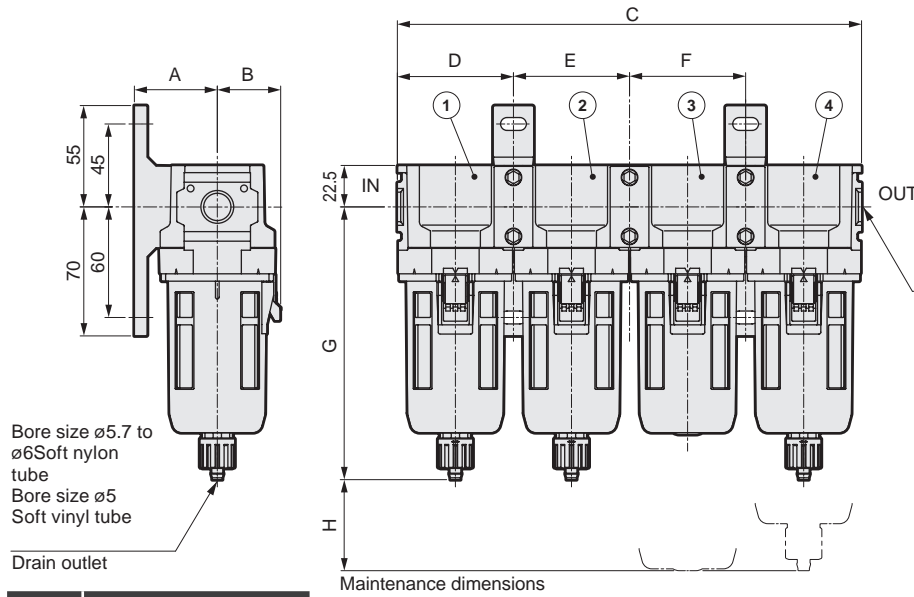
● Replacement model No. for single element unit

Element model No.	Anti-bacterial pre-filter Element	Anti-bacterial high performance filter Element	Bacteria removing filter Element	Deodorizing filter Element
SFC309	SFC310-ELEMENT	SFC320-ELEMENT	SFC330-ELEMENT	SFC340-ELEMENT
SFC409	SFC410-ELEMENT	SFC420-ELEMENT	SFC430-ELEMENT	SFC440-ELEMENT
SFC809	SFC810-ELEMENT	SFC820-ELEMENT	SFC830-ELEMENT	SFC840-ELEMENT

Dimensions



● SFC309/SFC409



Bore size $\phi 5.7$ to $\phi 6$ Soft nylon tube
Bore size $\phi 5$ Soft vinyl tube

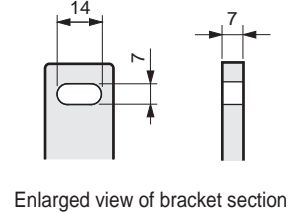
Drain outlet

No.	Series
①	Anti-bacterial pre-filter
②	Anti-bacterial high performance filter
③	Deodorizing filter
④	Bacteria removing filter

Model No.	A	B	C	D	E	F	G	H	I	J
SFC309	45	(34.5)	189	63	63	63	148	60	27	45
SFC409	55	(42.5)	240	80	80	80	171	80	37	55

Maintenance dimensions

Port size
Rc1/4 (8)
Rc3/8(10)
Rc1/2(15)



● Attachment

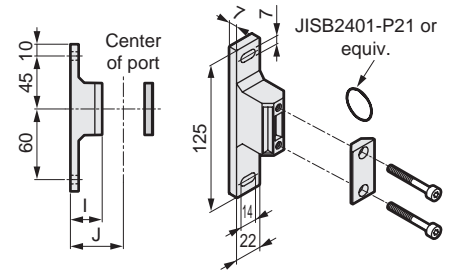
T-bracket

Model No.: SFB310-FP2

(Applicable models: SFC309)

SFB410-FP2

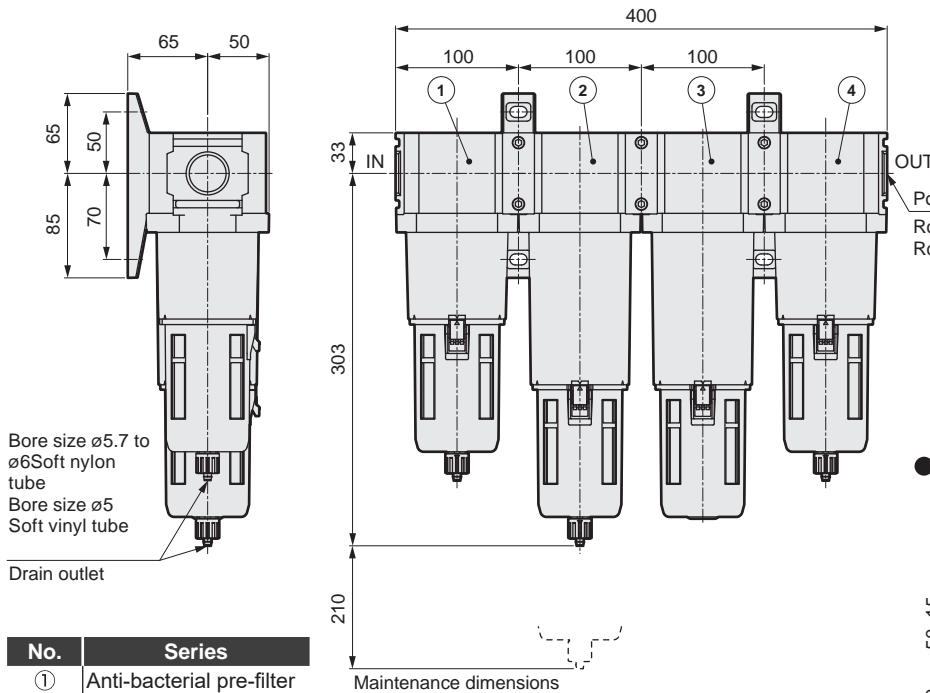
(Applicable models: SFC409)



Material: Aluminum die-casting

Stainless steel mounting screws used

● SFC809



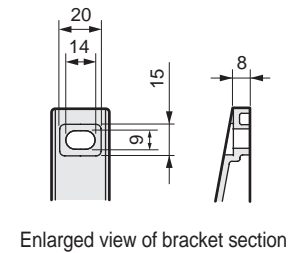
Bore size $\phi 5.7$ to $\phi 6$ Soft nylon tube
Bore size $\phi 5$ Soft vinyl tube

Drain outlet

No.	Series
①	Anti-bacterial pre-filter
②	Anti-bacterial high performance filter
③	Deodorizing filter
④	Bacteria removing filter

Maintenance dimensions

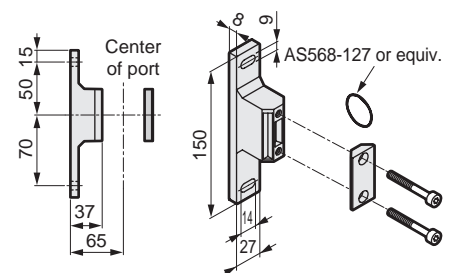
Port size
Rc3/4(20)
Rc1(25)



● Attachment

T-bracket

Model No.: SFB810-FP2



Material: Aluminum die-casting

Stainless steel mounting screws used

Materials compatible with Food Sanitation Act

Materials compatible with FDA



Anti-bacterial combination

SFC306/SFC406/SFC806-FP2 Series

● Port size: 1/4 to 1



Specifications

Descriptions		SFC306	SFC406	SFC806
Components	(1) Anti-bacterial pre-filter	SFC310	SFC410	SFC810
	(2) High-performance anti-bacterial filter	SFC320	SFC420	SFC820
Working fluid		Compressed air, Nitrogen gas (N ₂), Carbon dioxide (CO ₂)		
Working pressure range	MPa	0.1 to 1.0		
Proof pressure	MPa	1.5		
Ambient/fluid temperatures	°C	5 to 45		
Filtration	μm	0.1 (removal efficiency 99% and over)		
Max. processing flow rate *1	ℓ/min (ANR)	360	700	2200
Port size	Rc, NPT, G	1/4, 3/8	1/4, 3/8, 1/2	3/4, 1
Weight	Kg	0.62	1.06	2.7
Standard accessories		Maintenance label (attachment)		
Element replacement		1 year (6000 hours) or pressure drop 0.1 MPa		

*1: Use within the max. processing flow rate. This is the value when primary pressure is 0.7 MPa.

How to order

SFC306 - 10 - X1 - FP2

A Model No. **B** Port size **C** Port thread **D** Flow direction

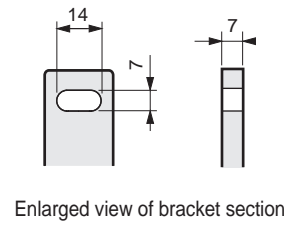
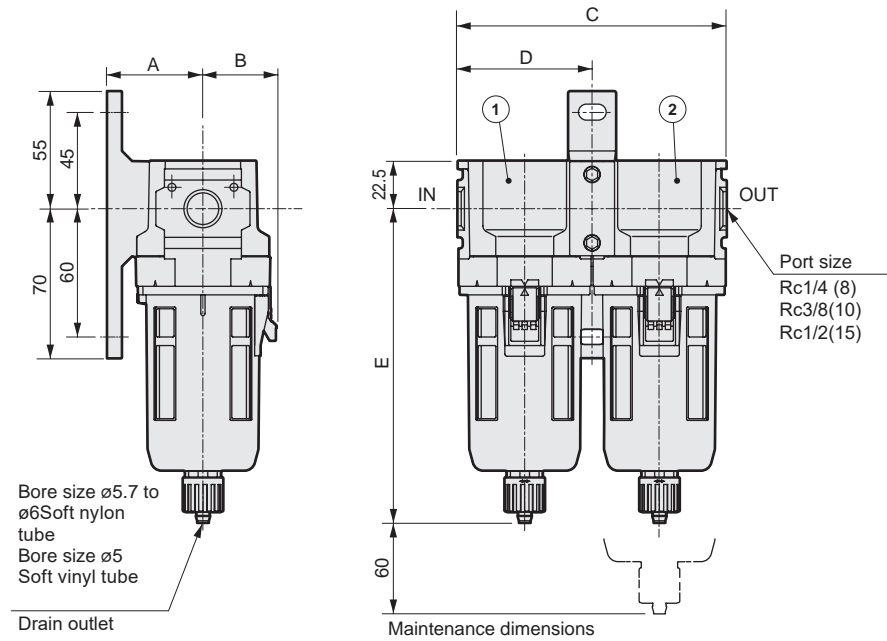
		A Model No.		
		SFC306	SFC406	SFC806
Code	Content			
B Port size				
8	1/4	●	●	
10	3/8	●	●	
15	1/2		●	
20	3/4			●
25	1			●
C Port thread				
Blank	Rc Thread	●	●	●
N	NPT Thread	●	●	●
G	G Thread	●	●	●
D Flow direction				
Blank	Standard flow (left → right)	●	●	●
X1	Reverse flow (right → left)	●	●	●

● Replacement element single unit model number

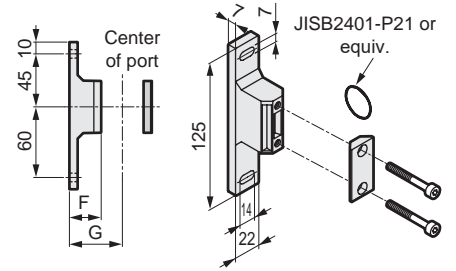
Element model No.	Anti-bacterial pre-filter element	High-performance anti-bacterial filter element
SFC306	SFC310-ELEMENT	SFC320-ELEMENT
SFC406	SFC410-ELEMENT	SFC420-ELEMENT
SFC806	SFC810-ELEMENT	SFC820-ELEMENT

Dimensions 

● SFC306/SFC406



● Attachment
 T-bracket
 Model No.: SFB310-FP2
 (Applicable models: SFC306)
 SFB410-FP2
 (Applicable models: SFC406)

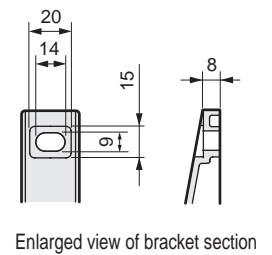
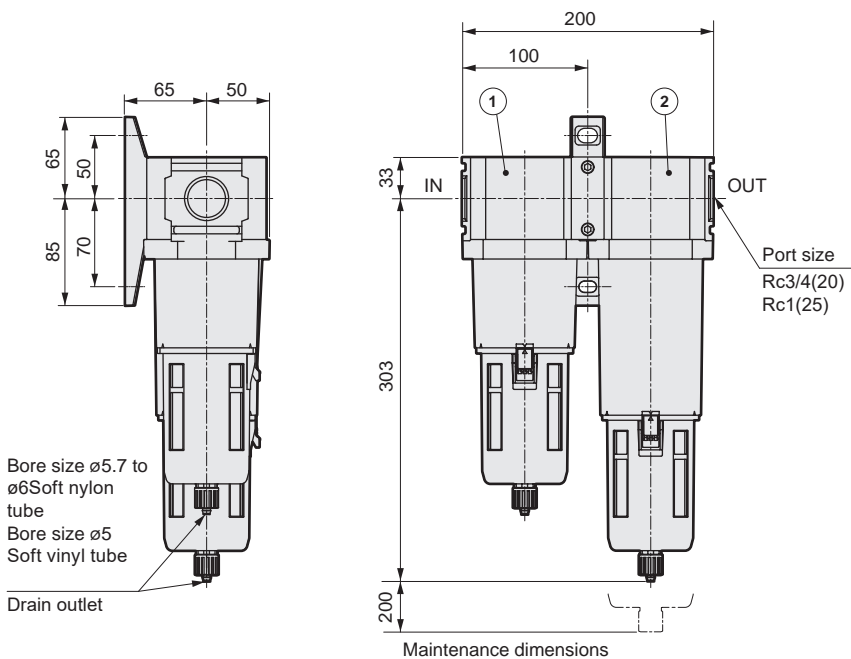


Material: Aluminum die-casting
 Stainless steel mounting screws used

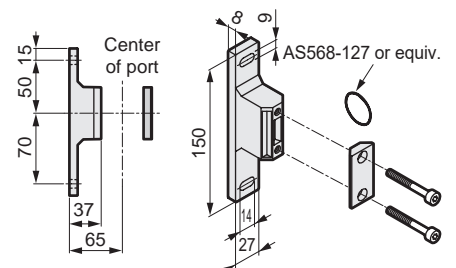
No.	Series
①	Anti-bacterial pre-filter
②	Anti-bacterial high performance filter

Model No.	A	B	C	D	E	F	G
SFC306	45	(34.5)	126	63	148	27	45
SFC406	55	(42.5)	160	80	171	37	55

● SFC806



● Attachment
 T-bracket
 Model No.: SFB810-FP2



Material: Aluminum die-casting
 Stainless steel mounting screws used

No.	Series
①	Anti-bacterial pre-filter
②	Anti-bacterial high performance filter

Materials compatible with Food Sanitation Act

Materials compatible with FDA



Anti-bacterial/
Deodorizing filter combination

SFC308/SFC408/SFC808-FP2 Series

● Port size: 1/4 to 1



Specifications

Descriptions		SFC308	SFC408	SFC808
Components	(1) Anti-bacterial pre-filter	SFC310	SFC410	SFC810
	(2) High-performance anti-bacterial filter	SFC320	SFC420	SFC820
	(3) Deodorizing filter	SFC340	SFC440	SFC840
Working fluid		Compressed air, Nitrogen gas (N ₂), Carbon dioxide (CO ₂)		
Working pressure range	MPa	0.1 to 1.0		
Proof pressure	MPa	1.5		
Ambient/fluid temperatures	°C	5 to 45		
Filtration	μm	0.1 (removal efficiency 99% or higher)		
Secondary side oil concentration	mg/m ³	0.003 or less *2		
Max. processing flow rate *1	ℓ/min (ANR)	360	700	2200
Port size	Rc, NPT, G	1/4, 3/8	1/4, 3/8, 1/2	3/4, 1
Weight	Kg	0.96	1.61	4.2
Standard accessories		Maintenance label (attachment)		
Element replacement		1 year (6000 hours) or pressure drop 0.1 MPa *3		

*1: Use within the max. processing flow rate. This is the value when primary pressure is 0.7 MPa.

*2: When an oil mist filter (M Series M type) is installed on the primary side. Be sure to install an air dryer and oil mist filter on the primary side.

*3: The replacement time is not a guaranteed value. The replacement time may be reduced depending on the product's working environment, usage conditions, etc.

How to order

SFC308 - 10 - X1 - FP2

A Model No. B Port size C Port thread D Flow direction

		A Model No.		
		SFC308	SFC408	SFC808
Code	Content			
B Port size				
8	1/4	●	●	
10	3/8	●	●	
15	1/2		●	
20	3/4			●
25	1			●
C Port thread				
Blank	Rc Thread	●	●	●
N	NPT Thread	●	●	●
G	G Thread	●	●	●
D Flow direction				
Blank	Standard flow (left → right)	●	●	●
X1	Reverse flow (right → left)	●	●	●

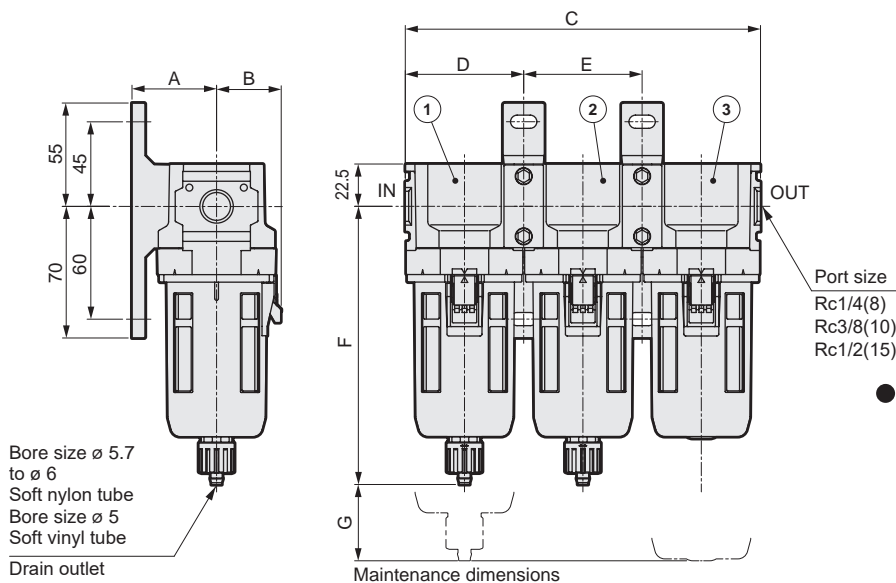
● Replacement element single unit model number

Element model No.	Anti-bacterial pre-filter element	High-performance anti-bacterial filter element	Deodorizing filter element
SFC308	SFC310-ELEMENT	SFC320-ELEMENT	SFC340-ELEMENT
SFC408	SFC410-ELEMENT	SFC420-ELEMENT	SFC440-ELEMENT
SFC808	SFC810-ELEMENT	SFC820-ELEMENT	SFC840-ELEMENT

Dimensions

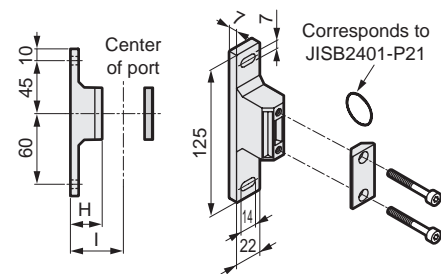


● SFC308/SFC408



● Attachment
T-bracket

Model No.: SFB310-FP2 (Compatible model: SFC308)
SFB410-FP2 (Compatible model: SFC408)

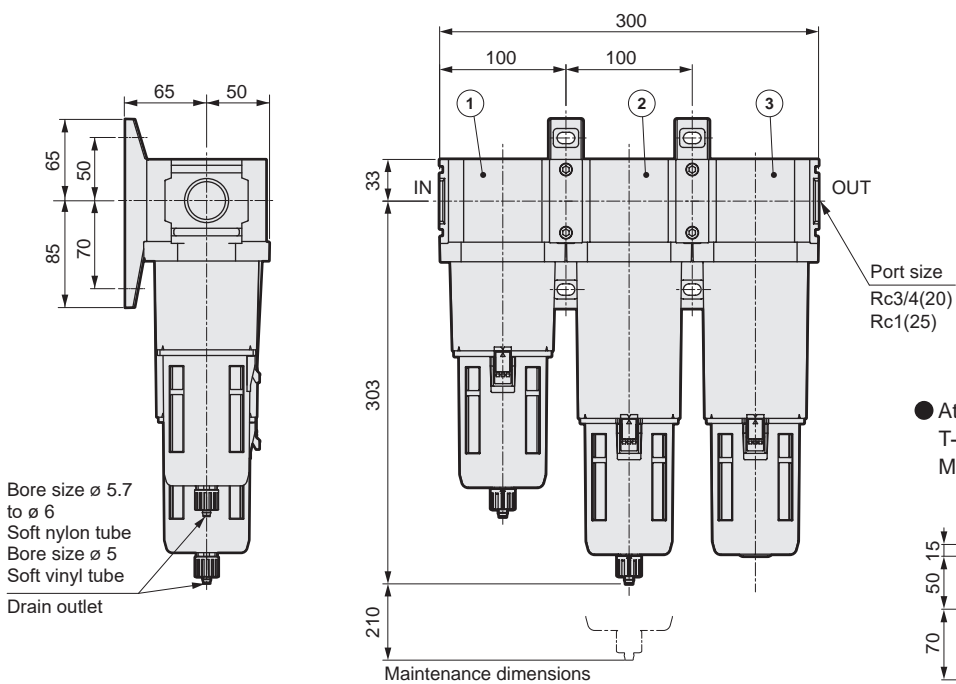


Material: Aluminum die-casting
Mounting screw with stainless steel

No.	Series
(1)	Anti-bacterial pre-filter
(2)	High-performance anti-bacterial filter
(3)	Deodorizing filter

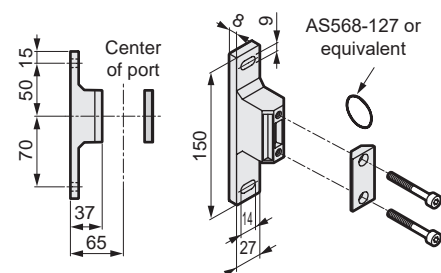
Model No.	A	B	C	D	E	F	G	H	I
SFC308	45	(34.5)	189	63	63	148	60	27	45
SFC408	55	(42.5)	240	80	80	171	80	37	55

● SFC808



● Attachment
T-bracket

Model No.: SFB810-FP2



Material: Aluminum die-casting
Mounting screw with stainless steel

No.	Series
(1)	Anti-bacterial pre-filter
(2)	High-performance anti-bacterial filter
(3)	Deodorizing filter

Materials compatible with Food Sanitation Act

Materials compatible with FDA



Anti-bacterial pre-filter

SFC310/SFC410/SFC810-FP2 Series

● Port size: 1/4 to 1



Specifications

Descriptions	SFC310	SFC410	SFC810
Working fluid	Compressed air, Nitrogen gas (N ₂), Carbon dioxide (CO ₂)		
Working pressure range MPa	0.1 to 1.0		
Proof pressure MPa	1.5		
Ambient/fluid temperatures °C	5 to 45		
Filtration μm	5 (removal efficiency 90% and over)		
Max. processing flow rate *1 l/min (ANR)	360	700	2200
Port size Rc, NPT, G	1/4, 3/8	1/4, 3/8, 1/2	3/4, 1
Weight Kg	0.28	0.52	1.16
Standard accessories	Maintenance label (attachment)		
Element replacement	1 year (6000 hours) or pressure drop 0.1 MPa		

*1: Use within the max. processing flow rate. This is the value when primary pressure is 0.7 MPa.

How to order

SFC310 - **10** - **X1** - **FP2**

● A Model No.

● B Port size

● C Port thread

● D Flow direction

		A Model No.		
		SFC310	SFC410	SFC810
Code	Content			
B Port size				
8	1/4	●	●	
10	3/8	●	●	
15	1/2		●	
20	3/4			●
25	1			●
C Port thread				
Blank	Rc Thread	●	●	●
N	NPT Thread	●	●	●
G	G Thread	●	●	●
D Flow direction				
Blank	Standard flow (left → right)	●	●	●
X1	Reverse flow (right → left)	●	●	●

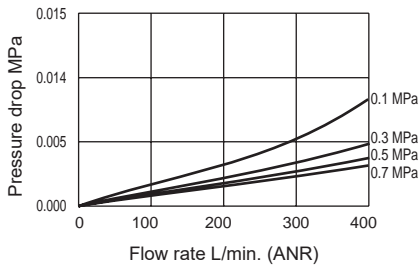
● Replacement element single unit model number

Element model No.	Anti-bacterial pre-filter element
SFC310	SFC310-ELEMENT
SFC410	SFC410-ELEMENT
SFC810	SFC810-ELEMENT

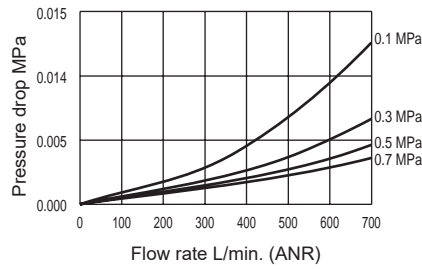
Flow characteristics



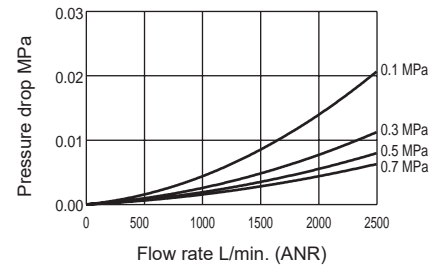
● SFC310



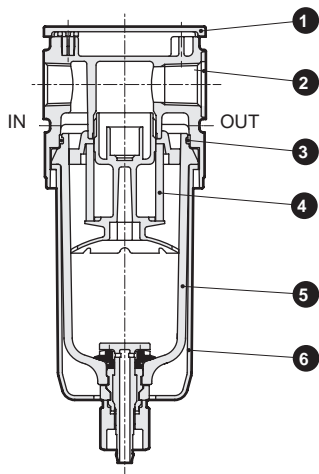
● SFC410



● SFC810



Internal structure and parts list



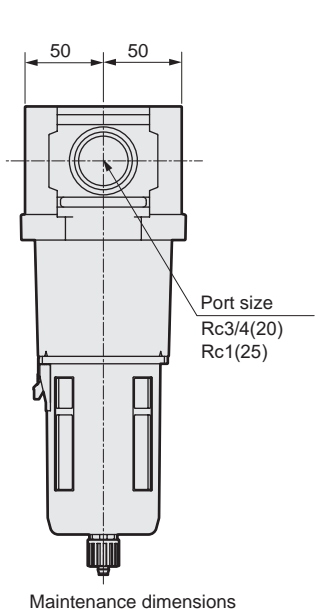
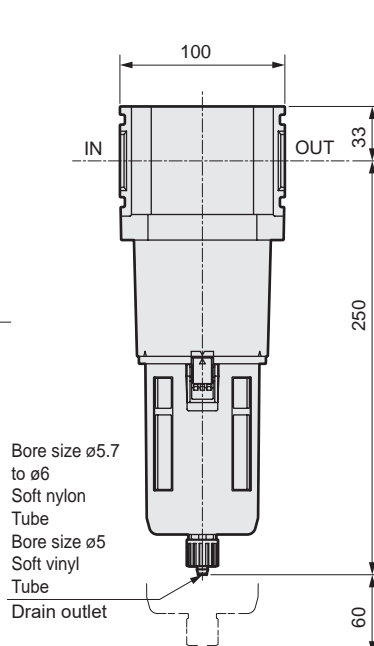
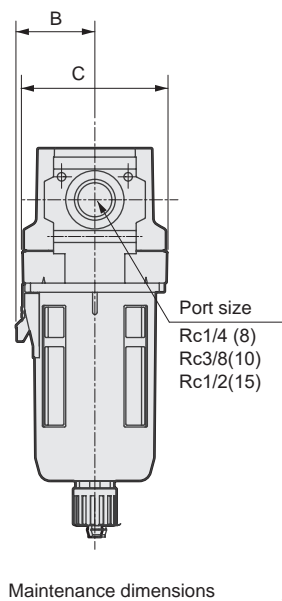
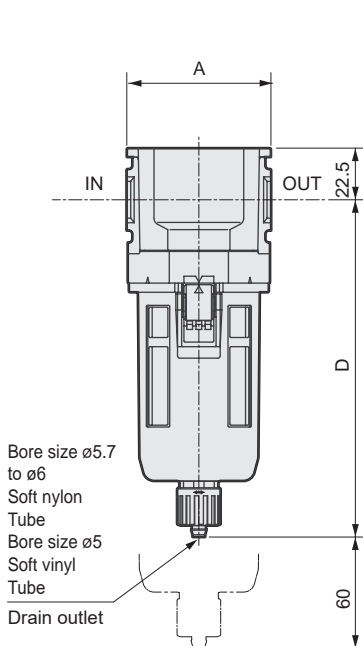
No.	Part name	Material		
		SFC310	SFC410	SFC810
1	Plate cover	ABS resin		
2	Body	Aluminum alloy die-casting		
3	O-ring	Fluoro rubber		
4	Element	Polyethylene, polypropylene, etc.		
5	Bowl	Polyamide resin		
6	Bowl guard	Polyamide resin		
7	Drain cock	Polyacetal resin		

Dimensions



● SFC310, SFC410

● SFC810



Model No.	A	B	C	D
SFC310	63	(34.5)	63	148
SFC410	80	(42.5)	79	171

Materials compatible with Food Sanitation Act

Materials compatible with FDA



High-performance anti-bacterial filter

SFC320/SFC420/SFC820-FP2 Series

● Port size: 1/4 to 1



Specifications

Descriptions	SFC320	SFC420	SFC820
Working fluid	Compressed air, Nitrogen gas (N ₂), Carbon dioxide (CO ₂)		
Working pressure range MPa	0.1 to 1.0		
Proof pressure MPa	1.5		
Ambient/fluid temperatures °C	5 to 45		
Filtration μm	0.1 (removal efficiency 99% and over)		
Max. processing flow rate *1 l/min (ANR)	360	700	2200
Port size Rc, NPT, G	1/4, 3/8	1/4, 3/8, 1/2	3/4, 1
Weight Kg	0.28	0.52	1.35
Standard accessories	Maintenance label (attachment)		
Element replacement	1 year (6000 hours) or pressure drop 0.1 MPa		

*1: Use within the max. processing flow rate. This is the value when primary pressure is 0.7 MPa.

How to order

SFC320 - **10** - **X1** - **FP2**

● A Model No.

● B Port size

● C Port thread

● D Flow direction

		A Model No.		
		SFC320	SFC420	SFC820
Code	Content			
B Port size				
8	1/4	●	●	
10	3/8	●	●	
15	1/2		●	
20	3/4			●
25	1			●
C Port thread				
Blank	Rc Thread	●	●	●
N	NPT Thread	●	●	●
G	G Thread	●	●	●
D Flow direction				
Blank	Standard flow (left → right)	●	●	●
X1	Reverse flow (right → left)	●	●	●

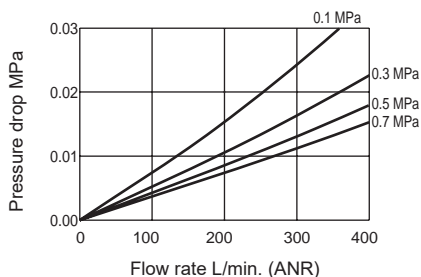
● Replacement element single unit model number

Element model No.	High-performance anti-bacterial filter element
SFC320	SFC320-ELEMENT
SFC420	SFC420-ELEMENT
SFC820	SFC820-ELEMENT

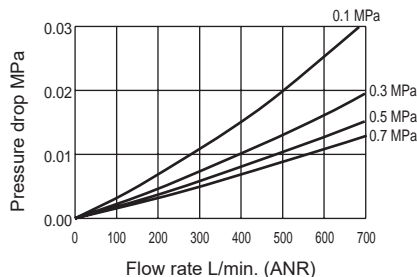
Flow characteristics



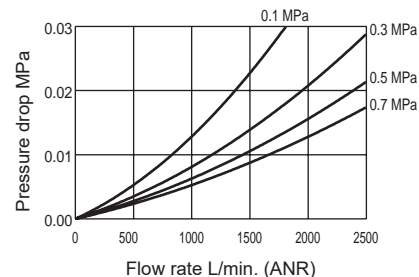
● SFC320



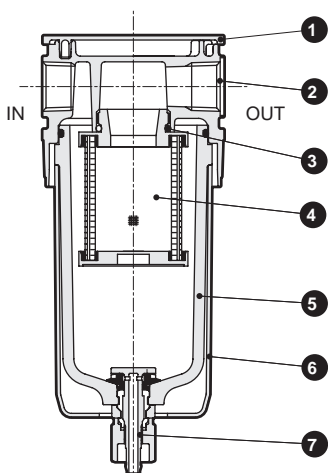
● SFC420



● SFC820



Internal structure and parts list



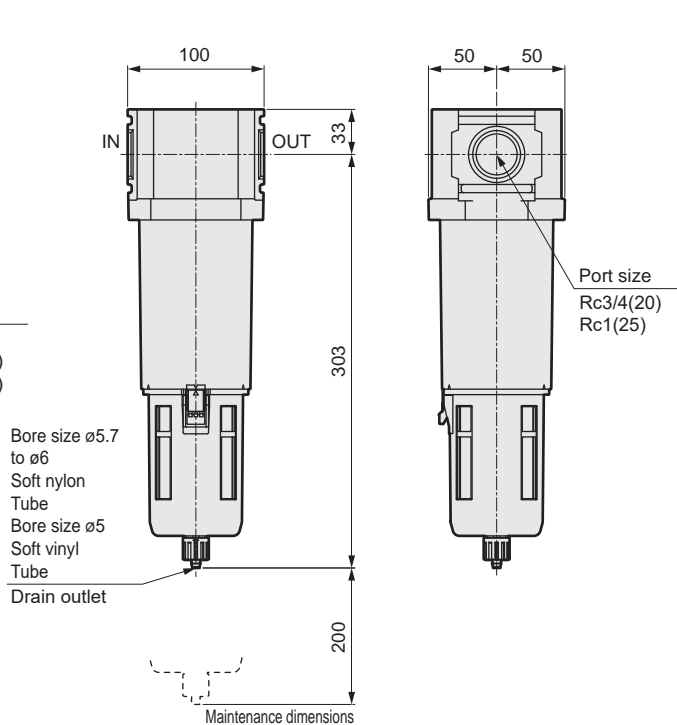
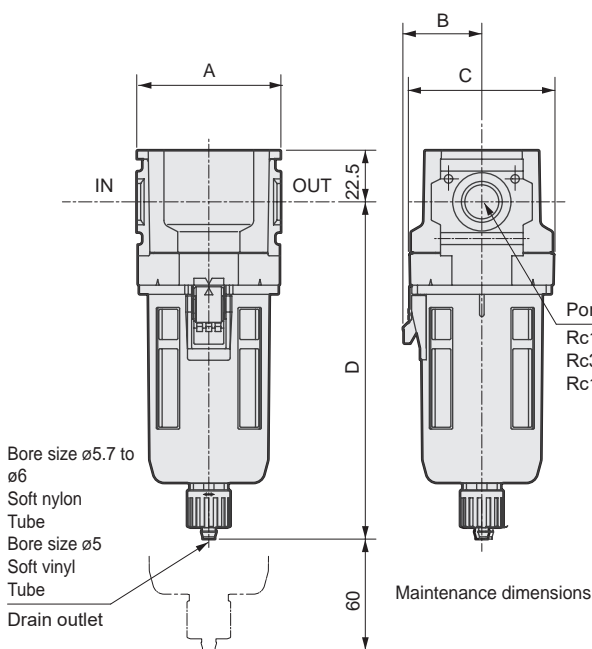
No.	Part name	Material		
		SFC320	SFC420	SFC820
1	Plate cover	ABS resin		
2	Body	Aluminum alloy die-casting		
3	O-ring	Fluoro rubber		
4	Element	Glass fiber, polypropylene		Glass fiber, PET, etc.
5	Bowl	Polyamide resin		
6	Bowl guard	Polyamide resin		
7	Drain cock	Polyacetal resin		

Dimensions



● SFC320, SFC420

● SFC820



Model No.	A	B	C	D
SFC320	63	(34.5)	63	148
SFC420	80	(42.5)	79	171

Material compatible with the Food Sanitation Act

FDA compliant materials



Bacteria removing filter

SFC330/SFC430/SFC830-FP2 Series

● Port size: 1/4 to 1/2



Specifications

Item	SFC330	SFC430	SFC830
Working fluid	Compressed air, nitrogen gas (N ₂) and carbon dioxide (CO ₂)		
Working pressure range MPa	0.1 to 1.0		
Proof pressure MPa	1.5		
Differential pressure-resistant MPa	0.5		
Ambient/fluid temperatures °C	5 to 45		
Filtration rating μm	0.01 (removal efficiency 99.99%)		
Max. processing flow rate *1L/min (ANR)	300	500	1100
Port size Rc, NPT, G	1/4, 3/8	1/4, 3/8, 1/2	3/4, 1
Weight Kg	0.28	0.52	1.63
Standard accessories	Maintenance label (included)		
Element replacement	1 year (6000 hours) or pressure drop 0.1MPa		

*1: Use within the max. processing flow rate. This is the value when primary pressure is 0.7 MPa.

How to order

SFC330 - **10** - **X1** - **FP2**

Ⓐ Model No.

Ⓑ Port size

Ⓒ Port thread

Ⓓ Flow direction

		Ⓐ Model No.		
		SFC330	SFC430	SFC830
Code	Description			
Ⓑ Port size				
8	1/4	●	●	
10	3/8	●	●	
15	1/2		●	
20	3/4			●
25	1			●
Ⓒ Port thread				
Blank	Rc thread	●	●	●
N	NPT thread	●	●	●
G	G thread	●	●	●
Ⓓ Flow direction				
Blank	Standard flow (left → right)	●	●	●
X1	Reverse flow (right → left)	●	●	●

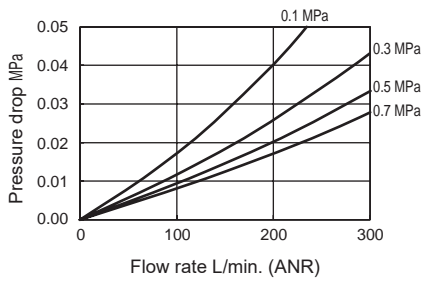
● Replacement model No. for single element unit

Element model No.	Bacteria removing filter Element
SFC330	SFC330-ELEMENT
SFC430	SFC430-ELEMENT
SFC830	SFC830-ELEMENT

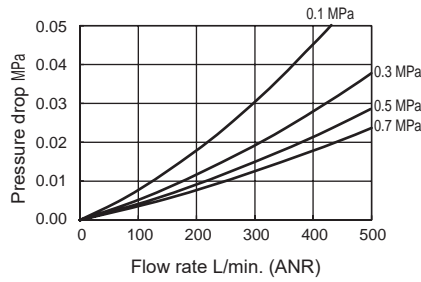
Flow characteristics



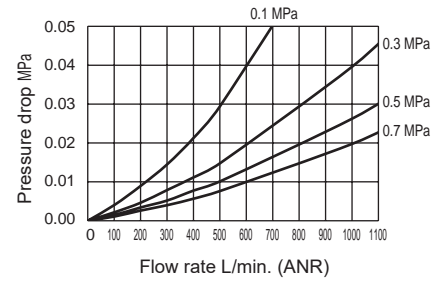
● SFC330



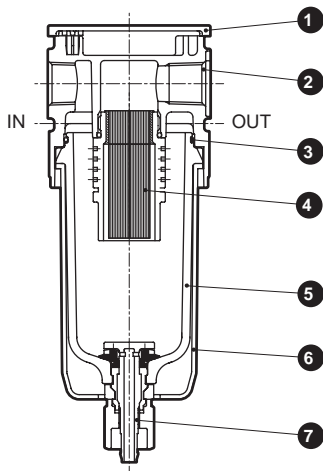
● SFC430



● SFC830



Internal structure and parts list



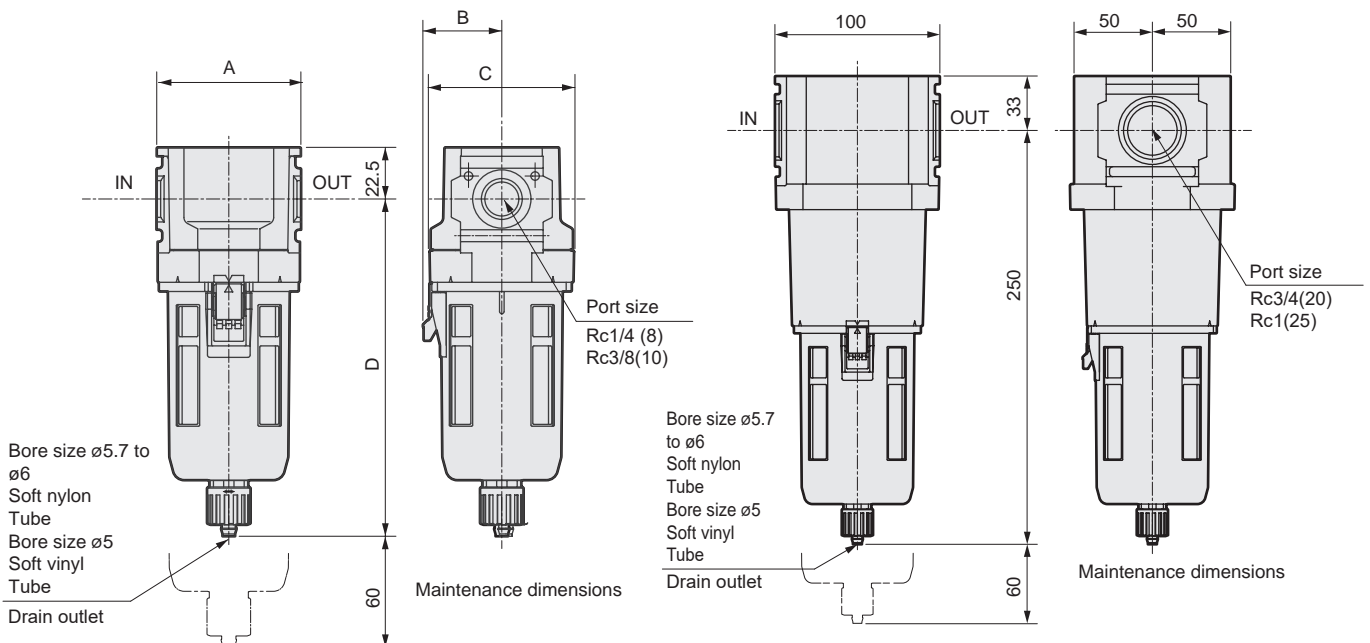
No.	Part name	Material		
		SFC330	SFC430	SFC830
1	Plate cover	ABS resin		
2	Body	Aluminum alloy die-casting		
3	O-ring	Fluoro rubber		
4	Element	Polypropylene, urethane resin, clear polyamide resin	Polypropylene, urethane resin, aluminum (alumite treatment)	
5	Bowl	Polyamide resin		
6	Bowl guard	Polyamide resin		
7	Drain cock	Polyacetal resin		

Dimensions



● SFC330/SFC430

● SFC830



Model No.	A	B	C	D
SFC330	63	(34.5)	63	148
SFC430	80	(42.5)	79	171

Materials compatible with Food Sanitation Act

Materials compatible with FDA



Deodorizing filter

SFC340/SFC440/SFC840-FP2 Series

● Port size: 1/4 to 1



Specifications

Descriptions	SFC340	SFC440	SFC840
Working fluid	Compressed air, Nitrogen gas (N ₂), Carbon dioxide (CO ₂)		
Working pressure range MPa	0.1 to 1.0		
Proof pressure MPa	1.5		
Ambient/fluid temperatures °C	5 to 45		
Secondary side oil concentration mg/m ³	0.003 or less *2		
Max. processing flow rate *1 l/min (ANR)	360	700	2200
Port size Rc, NPT, G	1/4, 3/8	1/4, 3/8, 1/2	3/4, 1
Weight Kg	0.28	0.52	1.35
Standard accessories	Maintenance label (attachment)		
Element replacement	1 year (6000 hours) or pressure drop 0.1 MPa *3		

*1: Use within the max. processing flow rate. This is the value when primary pressure is 0.7 MPa.

*2: When an oil mist filter (M Series M type) is installed on the primary side. Be sure to install an air dryer and oil mist filter on the primary side.

*3: The replacement time is not a guaranteed value. The replacement time may be reduced depending on the product's working environment, usage conditions, etc.

How to order

SFC340 - **10** - **X1** - **FP2**

● A Model No.

● B Port size

● C Port thread

● D Flow direction

		A Model No.		
		SFC340	SFC440	SFC840
Code	Content			
B Port size				
8	1/4	●	●	
10	3/8	●	●	
15	1/2		●	
20	3/4			●
25	1			●
C Port thread				
Blank	Rc Thread	●	●	●
N	NPT Thread	●	●	●
G	G Thread	●	●	●
D Flow direction				
Blank	Standard flow (left → right)	●	●	●
X1	Reverse flow (right → left)	●	●	●

● Replacement element single unit model number

Element model No.	Deodorizing filter element
SFC340	SFC340-ELEMENT
SFC440	SFC440-ELEMENT
SFC840	SFC840-ELEMENT

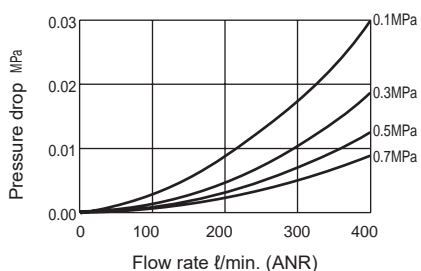
SFC³₄840-FP2 Series

Flow characteristics/Internal structure and parts list/Dimensions

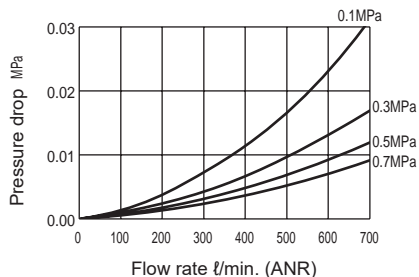
Flow characteristics



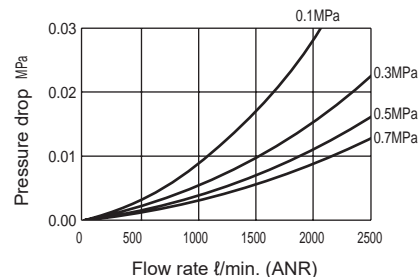
● SFC340



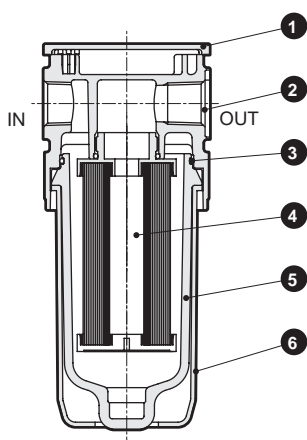
● SFC440



● SFC840



Internal structure and parts list

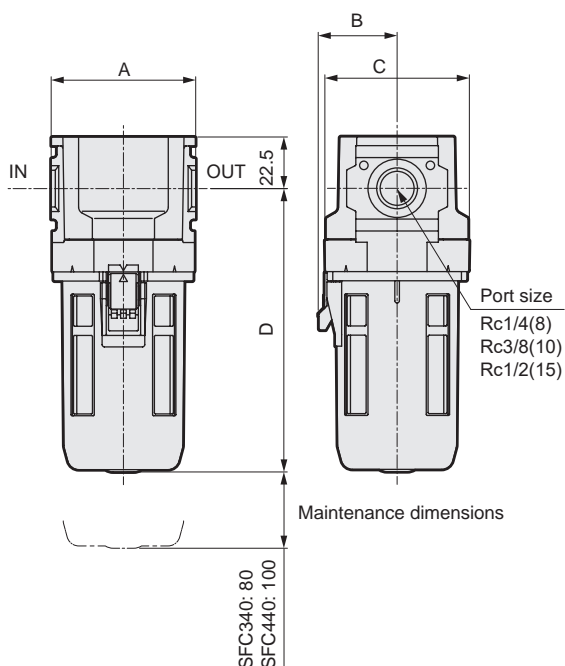


No.	Part name	Material		
		SFC340	SFC440	SFC840
1	Plate cover	ABS Resin		
2	Body	Aluminum alloy die-casting		
3	O-ring	Fluoro rubber		
4	Element	Fiber activated carbon, PET		
5	Bowl	Polyamide resin		
6	Bowl guard	Polyamide resin		

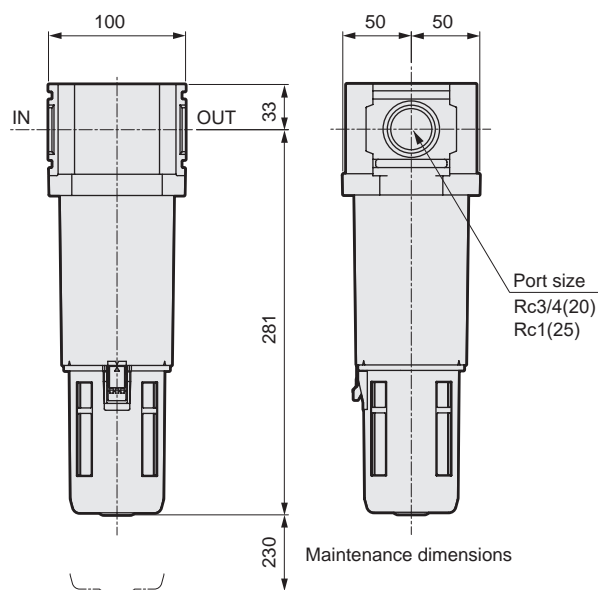
Dimensions



● SFC340/SFC440



● SFC840



Model No.	A	B	C	D
SFC340	63	34.5	63	123.5
SFC440	80	42.5	79	149

Materials compatible with Food Sanitation Act

Materials compatible with FDA



Bacteria removing filter/inline

SFS10-FP2 Series

● Port size: Rc1/4, Rc3/8

Push-in fitting ϕ 8, ϕ 10, ϕ 12



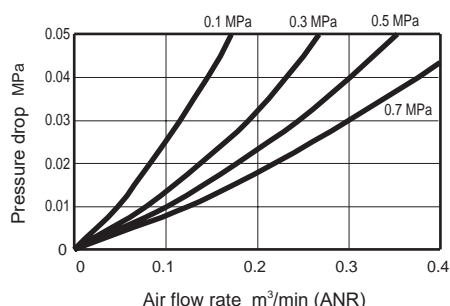
Specifications

Descriptions	Resin		Stainless steel	
	SFS10- (*1) (*2)		SFS10- (*1) (*2) -M	
Working fluid	Compressed air, Nitrogen gas (N ₂), Carbon dioxide (CO ₂)			
IN side bore size (*1)	Push-in fitting ϕ 8, ϕ 10, ϕ 12,		Select from Rc1/4 and Rc3/8	
OUT side bore size (*2)	Select from Rc1/4 and Rc3/8			
Proof pressure MPa	1.5		2.25 (Compressed air), 1.5 (N ₂ , CO ₂)	
Differential pressure-resistant MPa	0.5			
Working pressure MPa	-0.095 to 0.99		-0.095 to 1.5 (Compressed air), -0.095 to 0.99 (N ₂ , CO ₂)	
Ambient/fluid temperatures °C	5 to 45			
Filtration μ m	0.01 (removal efficiency 99.99%)			
Processing flow rate ℓ /min (ANR)	300 to 400 Note 1			
Weight kg	Push-in fitting	Thread	0.5	
	0.15	0.11		
Assembling/inspection/packaging	Integrated production in cleanroom			
Cleaning	Degreasing			
Element replacement	1 year (6000 hours) or pressure drop 0.1 MPa			

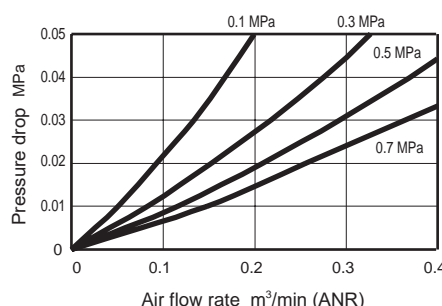
Note 1: Initial flow rate at primary pressure 0.7 MPa and pressure drop 0.03 MPa. (Differs according to port size.)

Flow characteristics

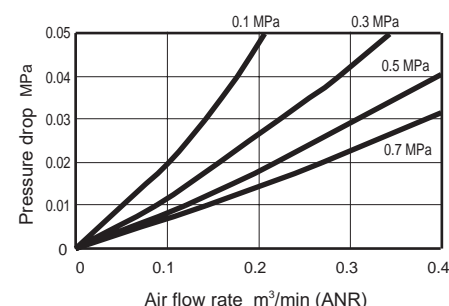
● SFS10-H8H8



● SFS10-H10H10
● SFS10-88



● SFS10-H12H12
● SFS10-1010



How to order

● Resin

SFS10 - H8 H8 - FP2

Model No.

A IN side port size

B OUT side port size

A IN side port size

H8	ϕ 8
H10	ϕ 10
H12	ϕ 12
8	Rc1/4
10	Rc3/8

B OUT side port size

H8	ϕ 8
H10	ϕ 10
H12	ϕ 12
8	Rc1/4
10	Rc3/8

● Stainless steel (custom order)

SFS10 - 8 8 - M - FP2

Model No.

A IN side port size

B OUT side port size

A IN side port size

8	Rc1/4
10	Rc3/8

B OUT side port size

8	Rc1/4
10	Rc3/8

*1: Two mounting screws (M3 \times 40), two plain washers, and two spring washers are attached with the product.

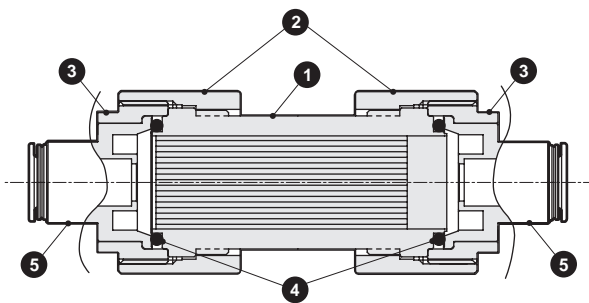
● Single unit model number for replacement element (1 element, 2 O-rings)

• For resin type: **SFS10-E**

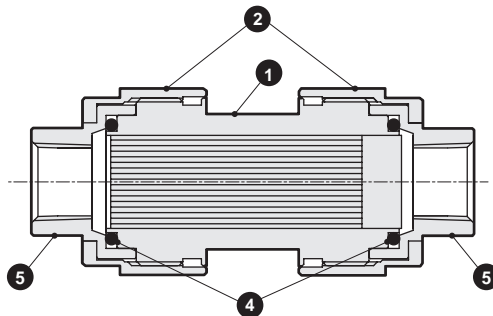
• Stainless steel type: **SFS10-E-M**

Internal structure and parts list

● Resin



● Stainless steel



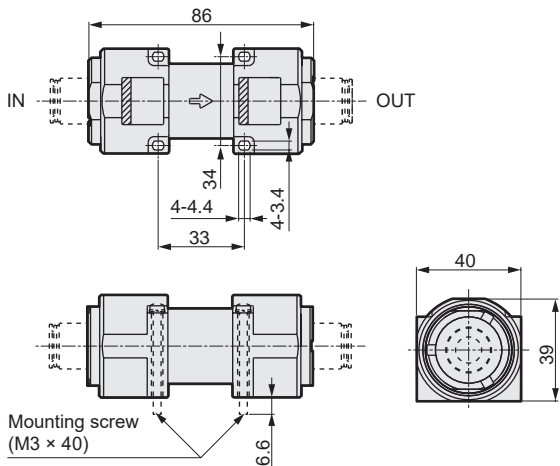
● Parts list

No.	Part name	Resin	Stainless steel
1	Housing	Clear polyamide	Stainless steel
	Filter	Polypropylene	
	Filler material	Urethane rubber resin	
2	Body	Polyamide resin	Stainless steel
3	Plug	Polyamide resin	-
4	O-ring	Fluoro rubber	Fluoro rubber
5	Cartridge fitting (Port size $\phi 8$, $\phi 10$, $\phi 12$)	Copper alloy (nickeling) Fluoro rubber Push ring: stainless steel	-
	Adaptor (Port size Rc1/4, Rc3/8)	Aluminum (Alumite treatment)	Stainless steel

Dimensions

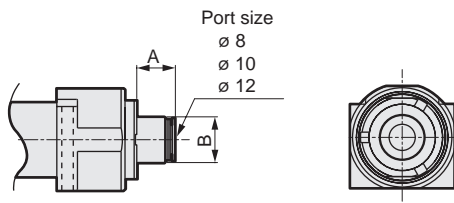


● Resin

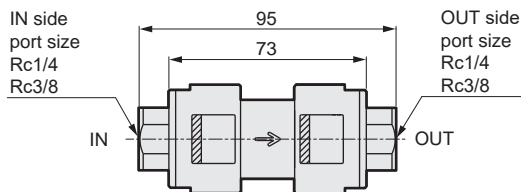


Connection model No.	Port size	A	B
H8	$\phi 8$ Push-in fitting	12	$\phi 17.5$
H10	$\phi 10$ Push-in fitting	14.5	$\phi 17.5$
H12	$\phi 12$ Push-in fitting	16	$\phi 19.5$
8	Rc1/4	11	-
10	Rc3/8	11	-

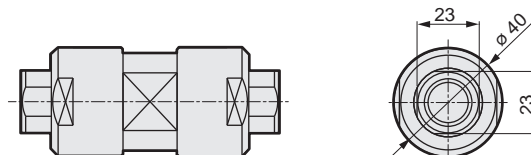
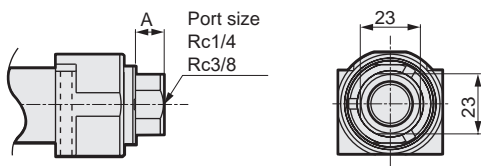
• Push-in fitting ($\phi 8$, $\phi 10$, $\phi 12$)



● Stainless steel



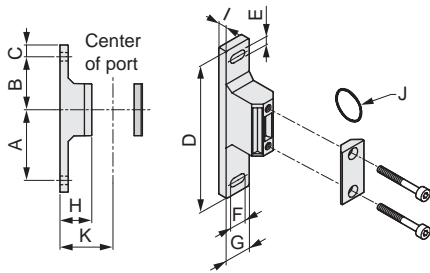
• Rc Thread (Rc1/4, Rc3/8)



Anti-Bacterial/Bacteria Removing Filter

T-bracket set

● Model No.: SFB310-FP2/SFB410-FP2/SFB810-FP2

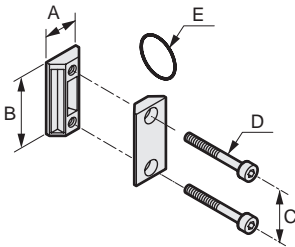


Model No.	Compatibility	A	B	C	D	E	F	G	H	I	J	K	Weight (kg)
SFB310-FP2	SFC3 **Series	60	45	10	125	7	14	22	27	7	JISB2401-P21	45	0.086
SFB410-FP2	SFC4 **Series	60	45	10	125	7	14	22	37	7	JISB2401-P21	55	0.094
SFB810-FP2	SFC8 **Series	70	50	15	150	9	14	27	37	8	AS568-127	65	0.169

- Material: Aluminum alloy die-casting
- Mounting screw with stainless steel

Joiner set

● Model No.: SFJ400-FP2
SFJ800-FP2



Model No.	Compatibility	A	B	C	D	E	Weight (kg)
SFJ400-FP2	SFC3 **Series SFC4 **Series	21	44	32	M5	Corresponds to JIS B2401-P21	0.036
SFJ800-FP2	SFC8 **Series	26	65	50	M6	Corresponds to AS568-127	0.094

- Material: Aluminum die-casting
- Mounting screw with stainless steel

Distributor

How to order

SFD401 - 00 - **8** - **B31** - FP2

A Model No.

B Port size

C Port thread

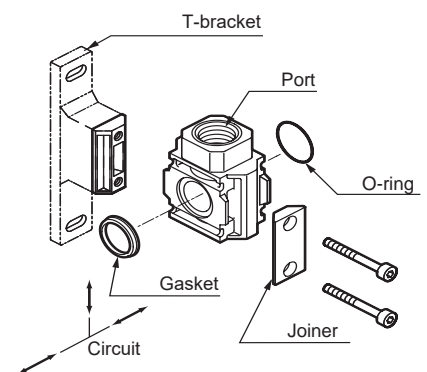
D T-bracket

Code	Content
A Model No.	
SFD401	For SFC3 **Series For SFC4 **Series
SFD801	For SFC8 **Series
B Port size	
	SFD401 SFD801
8	●
10	●
15	●
20	●
25	●
C Port thread	
Blank	Rc Thread
N	NPT Thread
G	G Thread
D T-bracket	
Blank	None
B31	SFC3 **Series
B41	SFC4 **Series
B81	SFC8 **Series

Precautions for model No. selection

- *1: The joiner set (joiner, bolt, O-ring) and one gasket are attached as standard.
- *2: Contact CKD regarding 2-way branch.

Assembly method



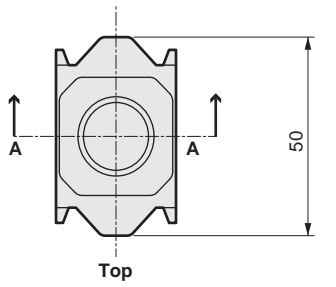
- *1: Insert the O-ring when mounting on the primary side, and the gasket when mounting on the secondary side for the air flow.
- *2: When inserting the O-ring and gasket during assembly, the O-ring and gasket must not be bent.

- Material: Aluminum die-casting
- Mounting screw with stainless steel

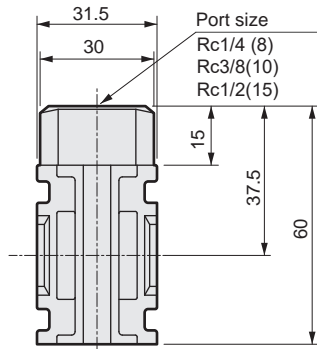
Anti-Bacterial/Bacteria Removing Filter

Dimensions

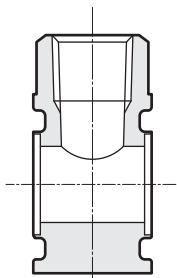
● SFD401-00-**-FP2



Top

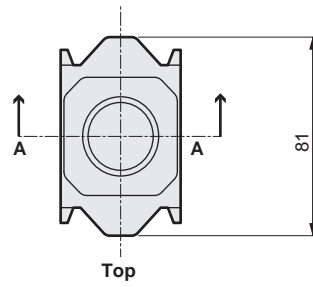


Front

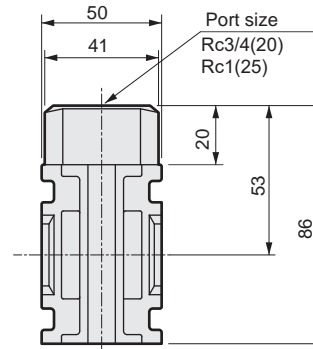


Cross section A-A

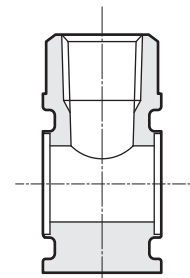
● SFD801-00-**-FP2



Top



Front

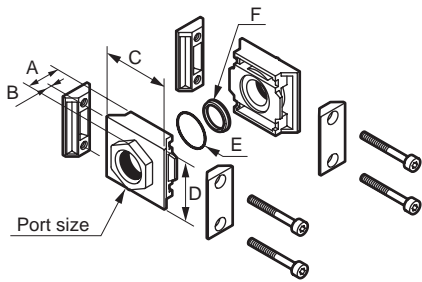


Cross section A-A

Dimensions and applications

Pipe adaptor set

● Model No.: SFA400-**-FP2
SFA800-**-FP2



Material: Aluminum die-casting
Stainless steel mounting screws used

Model No.	Port size	A	B	C	D	E (O-ring)	F (gasket)	Weight (kg)
SFA400-8*-FP2	1/4	20	6	50	45	JISB2401 P21 or equiv. 1 pc.	1 pc.	0.16
SFA400-10*-FP2	3/8							
SFA400-15*-FP2	1/2							
SFA800-20*-FP2	3/4	35 (38)	15 (18)	81	66	AS568-127 or equiv. 1 pc.	1 pc.	0.53
SFA800-25*-FP2	1							
SFA800-32*-FP2	1 1/4							

*BLANK: RC THREAD, N: NPT THREAD, G: G THREAD

Note: Numbers in () are for 1 1/4