

Lubricator Standard white series

L1000/L3000/L4000/L8000-W Series

Supply fine mist oil.

Port size: 1/8 to 1

JIS symbol



Specifications

Descriptions	L1000-W	L3000-W	L4000-W	L8000-W
Exterior				
Working fluid	Compressed air			
Max. working pressure MPa	1.0			
Withstanding pressure MPa	1.5			
Working temperature °C	5 to 60			
Minimum drip flow Note 1 m ³ /min (ANR)	0.015	0.03	0.065	0.065
Oil capacity cm ³	20	85	170	170 (MAX360)
Applicable oil	Turbine oil Class 1 ISO VG32 (spindle oil can not be used)			
Port size Rc, NPT, G	1/8, 1/4 (3/8 uses an adaptor)	1/4, 3/8 (1/2 uses an adaptor)	1/4, 3/8, 1/2 (3/4 uses an adaptor)	3/4, 1 (1 1/4 uses an adaptor)
Product weight kg	0.1	0.28	0.45	1.4
Standard accessories	Bowl guard			

Note 1: The minimum drip flow is the amount of flow that allows five drops of turbine oil drip per minute at primary pressure of 0.5 MPa and intake air temperature of 20°C. (Can not be used for dry fog)

Float switch electrical specifications

Descriptions	
Control points	1 points
Operation	Rising float will (oil full) will turn the switch OFF, and lowering float (no oil) will turn the switch ON.
Maximum working voltage	AC240V, DC200V
Maximum opening/closing capacity	50 VA or 50 W, whichever is smaller
Maximum opening/closing current	0.5A
Withstanding pressure between contacts	DC400V for 1 min, leakage current 1mA or less
Contact resistance	220mΩ or less (between terminal sections)
Insulation resistance	100MΩ and over (between terminal and cases, 500 VDC megger)
Withstanding voltage	AC1500V 1min. (between case and terminal)
Electrical service life	10 ⁶ cycles (AC200V, 200mA, with resistance)

How to order



A Model no.

B Port size

C Port thread type

D Option

E Displayed unit

F Piping adaptor set (included)

* Refer top page 9 for an explanation of the options.

A Model no.

L	L	L	L
1	3	4	8
0	0	0	0
0	0	0	0
0	0	0	0

G Bracket (attached)

Symbol	Descriptions					
B Port size						
6	1/8	●				
8	1/4	●	●	●		
10	3/8		●	●		
15	1/2			●		
20	3/4				●	
25	1				●	
C Port thread type Note 1						
Blank	Rc thread	●	●	●	●	
N	NPT thread	●	●	●	●	
G	G thread	●	●	●	●	
D Option Note 2						
Drain Discharge	Blank	No manual cock	●	●	●	●
	C	With manual cock	●	●	●	●
	LL	With float switch		●	●	●
Bowl Material	Blank	Polycarbonate bowl	●	●	●	●
	Z	Nylon bowl	●	●	●	●
	M	Metal bowl		●	●	●
Flow Direction	Blank	Standard flow (left to right)	●	●	●	●
	X1	Reverse flow (right to left)	●	●	●	●
E Displayed unit						
Blank	MPa display, Rc thread	●	●	●	●	
J1	MPa display, NPT, G thread	●	●	●	●	
F Piping adaptor set (included) Note 4 pages 155 to 157 Note 5						
Blank	Not attached	●	●	●	●	
A6*W	1/8 piping adaptor set	●				
A8*W	1/4 piping adaptor set	●	●	●		
A10*W	3/8 piping adaptor set	●	●	●		
A15*W	1/2 piping adaptor set		●	●		
A20*W	3/4 piping adaptor set			●	●	
A25*W	1 piping adaptor set				●	
A32*W	1 1/4 piping adaptor set				●	
* Adaptor thread type						
Blank	RC thread	●	●	●	●	
N	NPT thread	●	●	●	●	
G	G thread	●	●	●	●	
G Bracket (attached)						
Blank	Not attached	●	●	●	●	
BW	C type bracket	●	●	●	●	

⚠ Cautions for model No. selection

- Note 1: G and NPT threads are available for IN, OUT.
- Note 2: When selecting options for several items, list options in order from the top.
- Note 3: The adjusting dome is made of polycarbonate for a nylon bowl or metal bowl. Consult with CKD if a different material is required.
- Note 4: The piping adapter set and C bracket cannot be used together.
- Note 5: A joiner set is attached with the piping adapter set.

Drainage and bowl material combination (how to order "D")

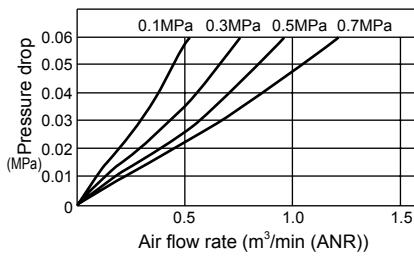
Option ● with float switch

3000/4000/8000 Series			
Shape			
Material	Plastic bowl		Metal bowl
	Polycarbonate	Nylon	Aluminum
Lubricator Lx000-W	LL	LLZ	LLM

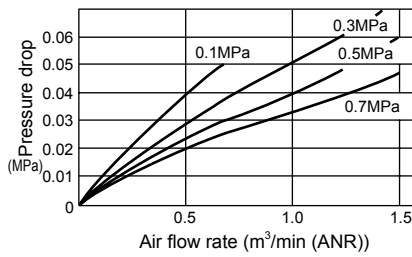
Lubricator Series

Flow characteristics

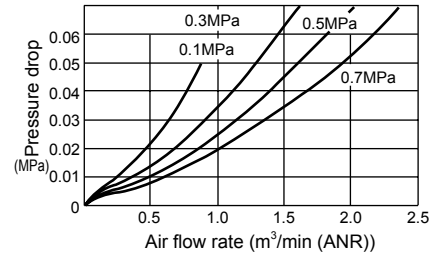
● L1000-6-W



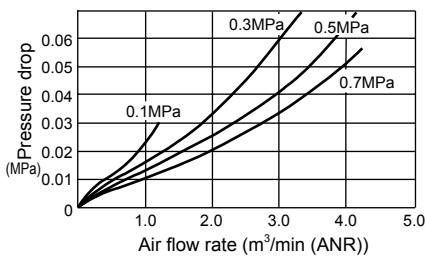
● L1000-8-W



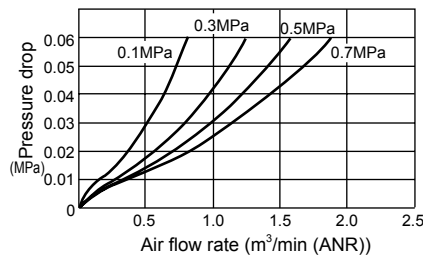
● L3000-8-W



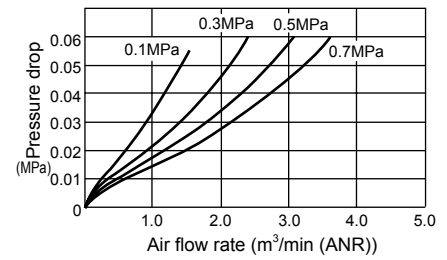
● L3000-10-W



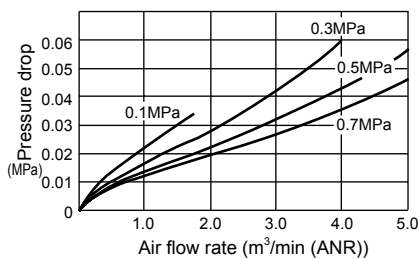
● L4000-8-W



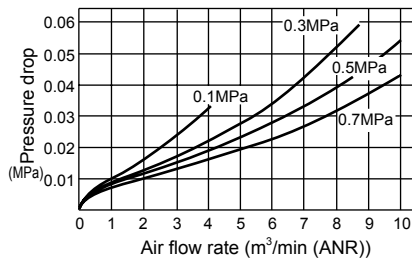
● L4000-10-W



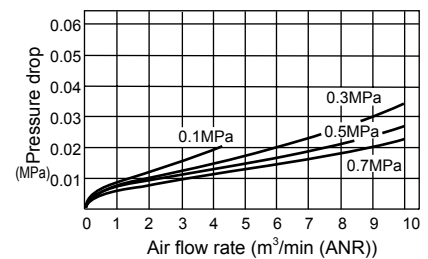
● L4000-15-W



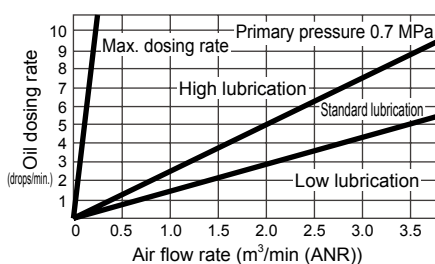
● L8000-20-W



● L8000-25-W

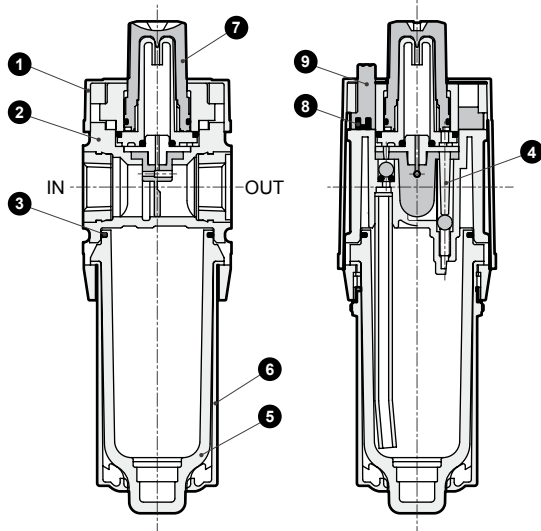


Oil dosing rate

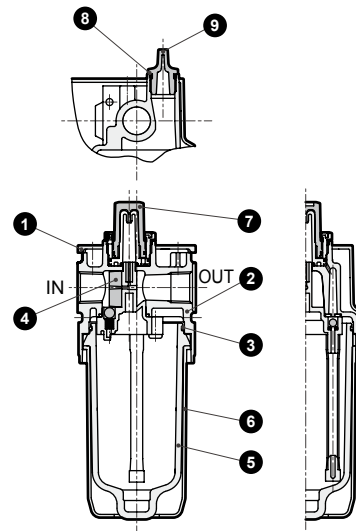


Internal structure and parts list

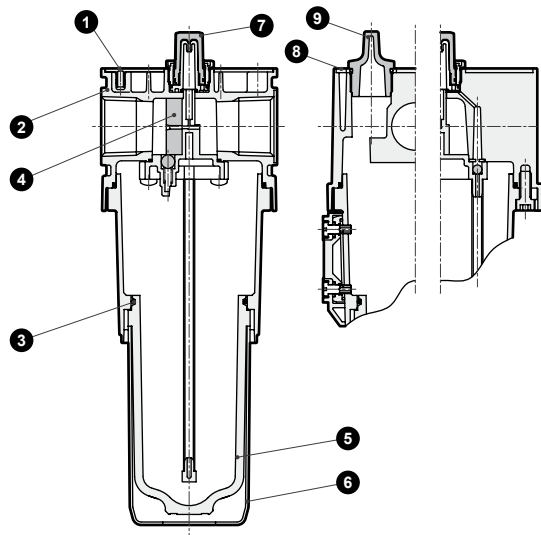
● L1000-W



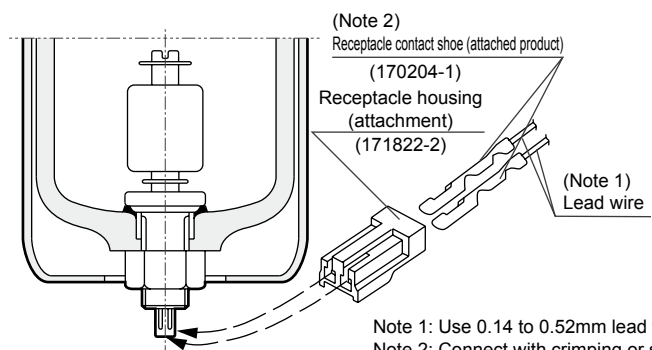
● L3000-W·L4000-W



● L8000-W



● Optional float switch



Note 1: Use 0.14 to 0.52mm lead wire.
 Note 2: Connect with crimping or soldering.

Japan AMP post header (part No. AMP171825-2) is used for the terminal.
 AMP171822-2 (standard) or AMP172142-2 (low profile) connectors are compatible.

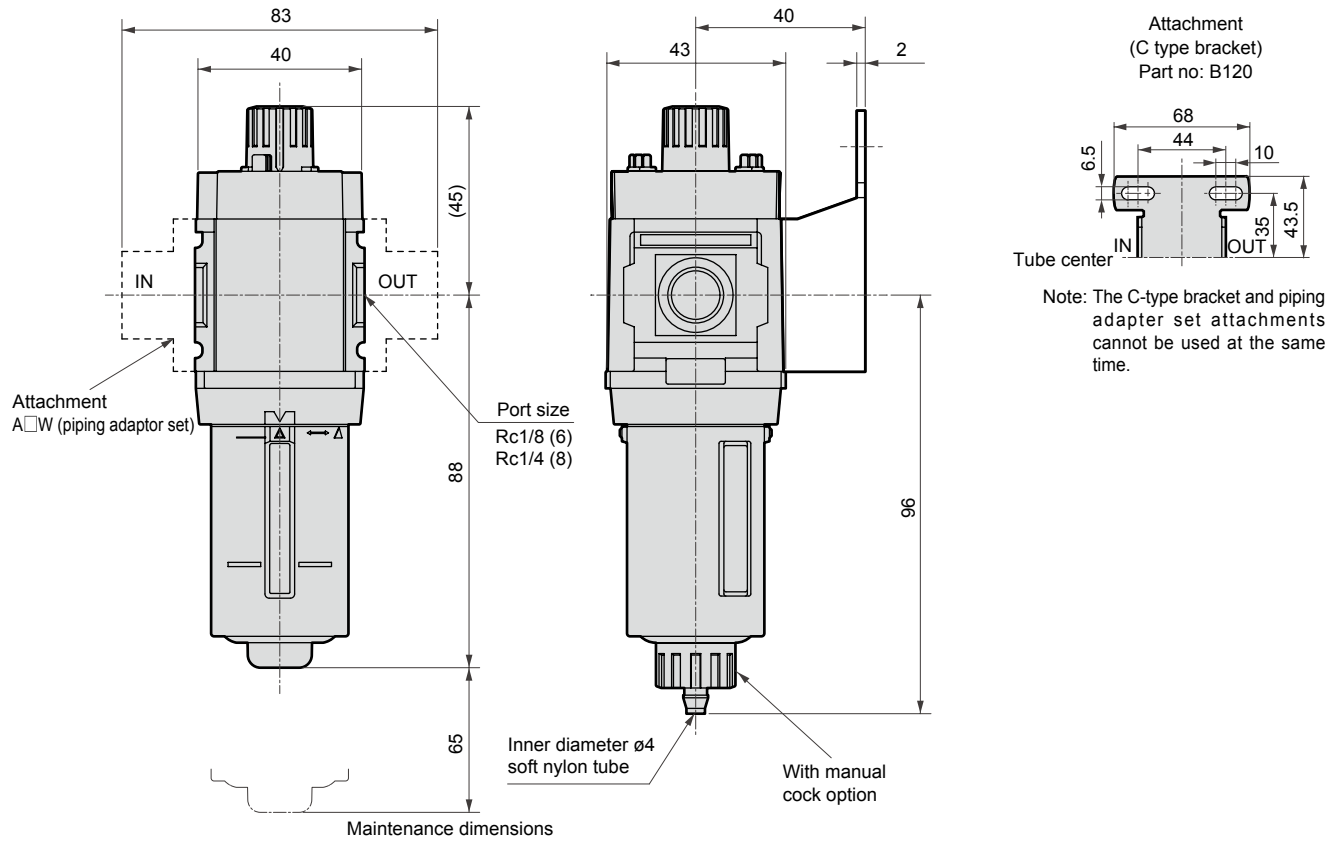
No.	Part name	Material			
		L1000-W	L3000-W	L4000-W	L8000-W
1	Plate cover	ABS resin			
2	Body	Polyamide resin, steel	Aluminum alloy die-casting		
3	O-ring	Note 1	Special nitrile rubber		
4	Flow guide	Urethane rubber resin		Nitrile rubber	
5	Bowl	Polycarbonate resin			
6	Bowl guard	Polyamide resin	Polyamide resin, steel		
7	Adjusting dome	Transparant nylon			
8	O-ring	Nitrile rubber			
9	Filling plug	Polyacetal resin			

Note 1: L1000-W O ring has a special shape.

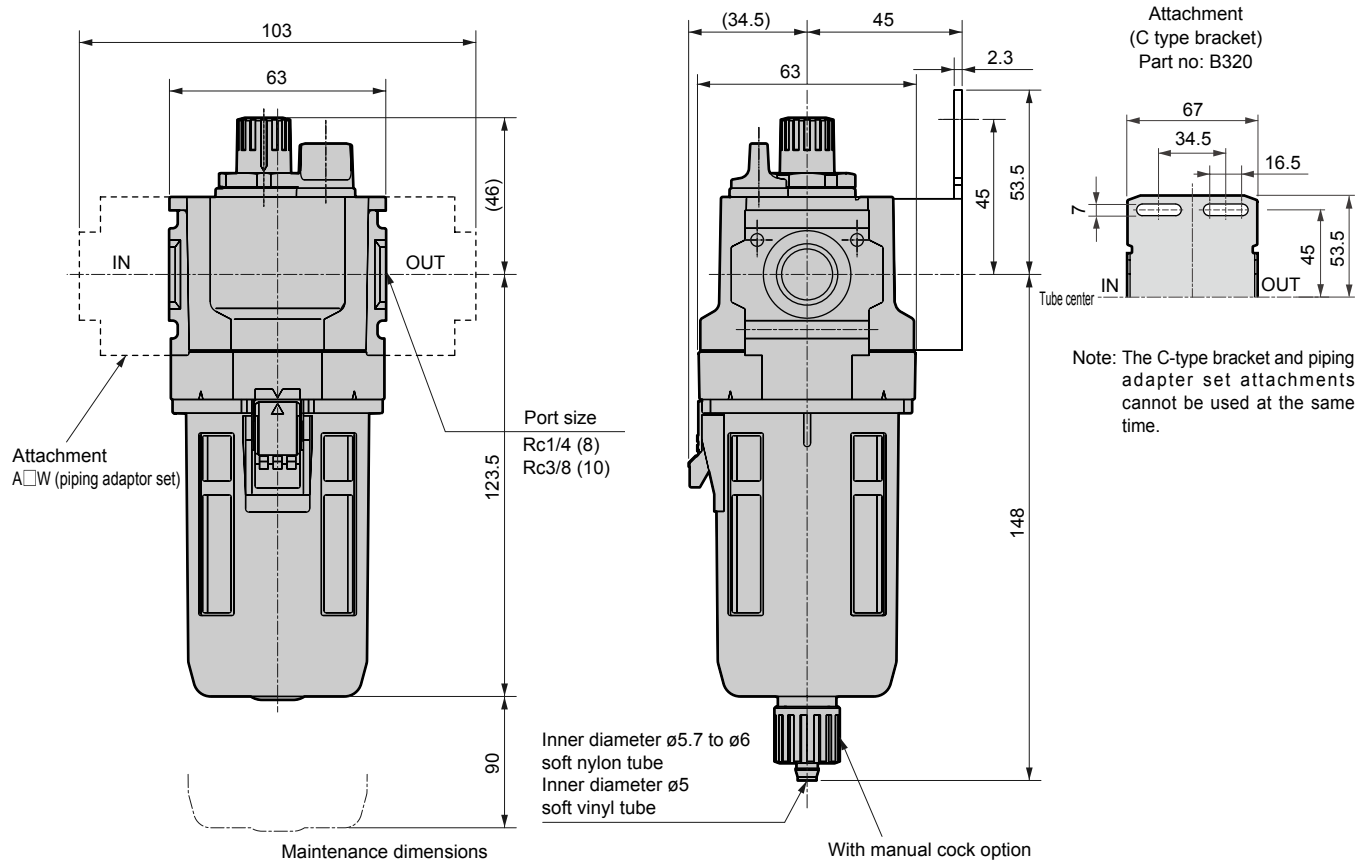
Lubricator Series

Dimensions

● L1000-W

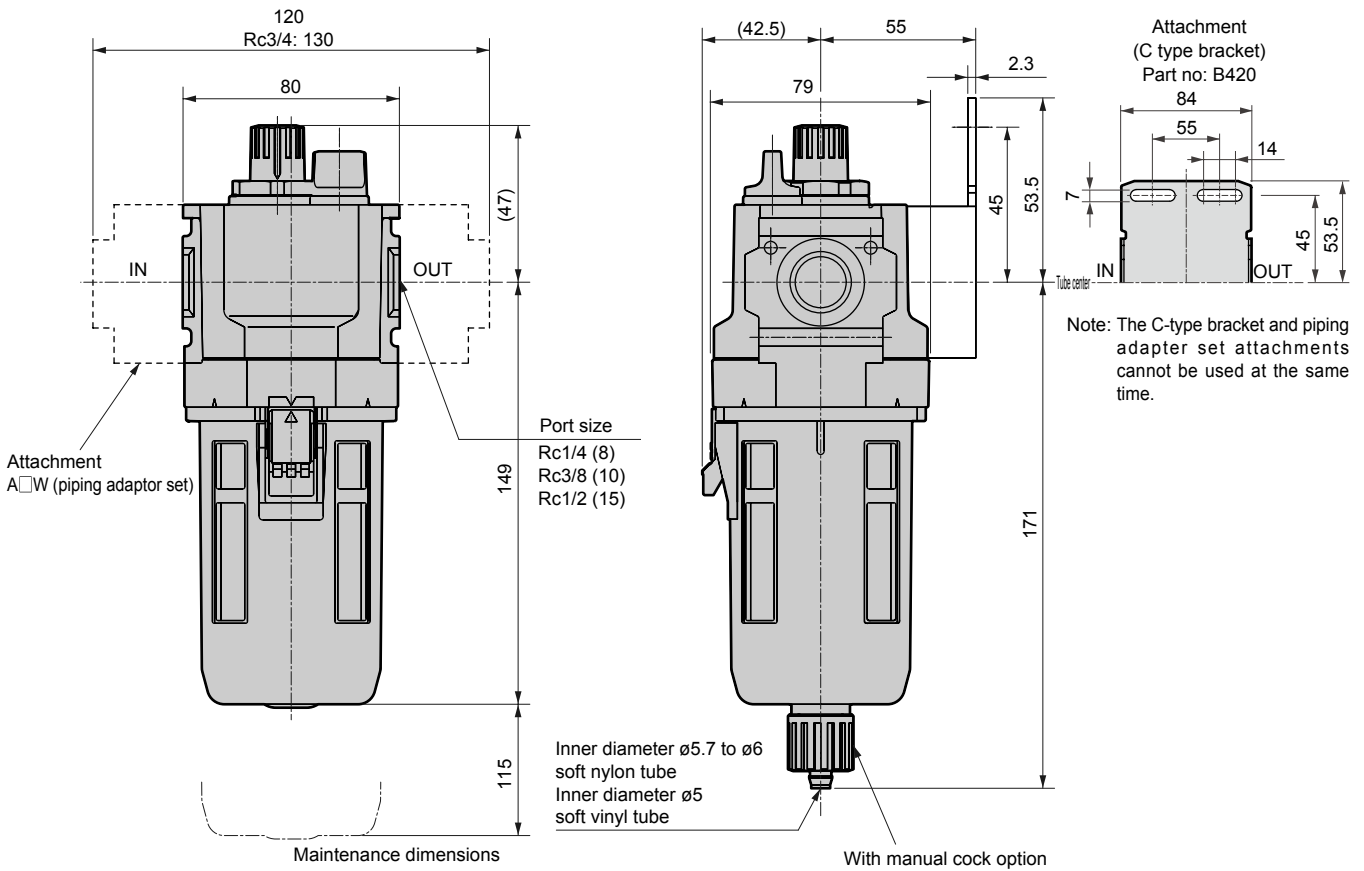


● L3000-W



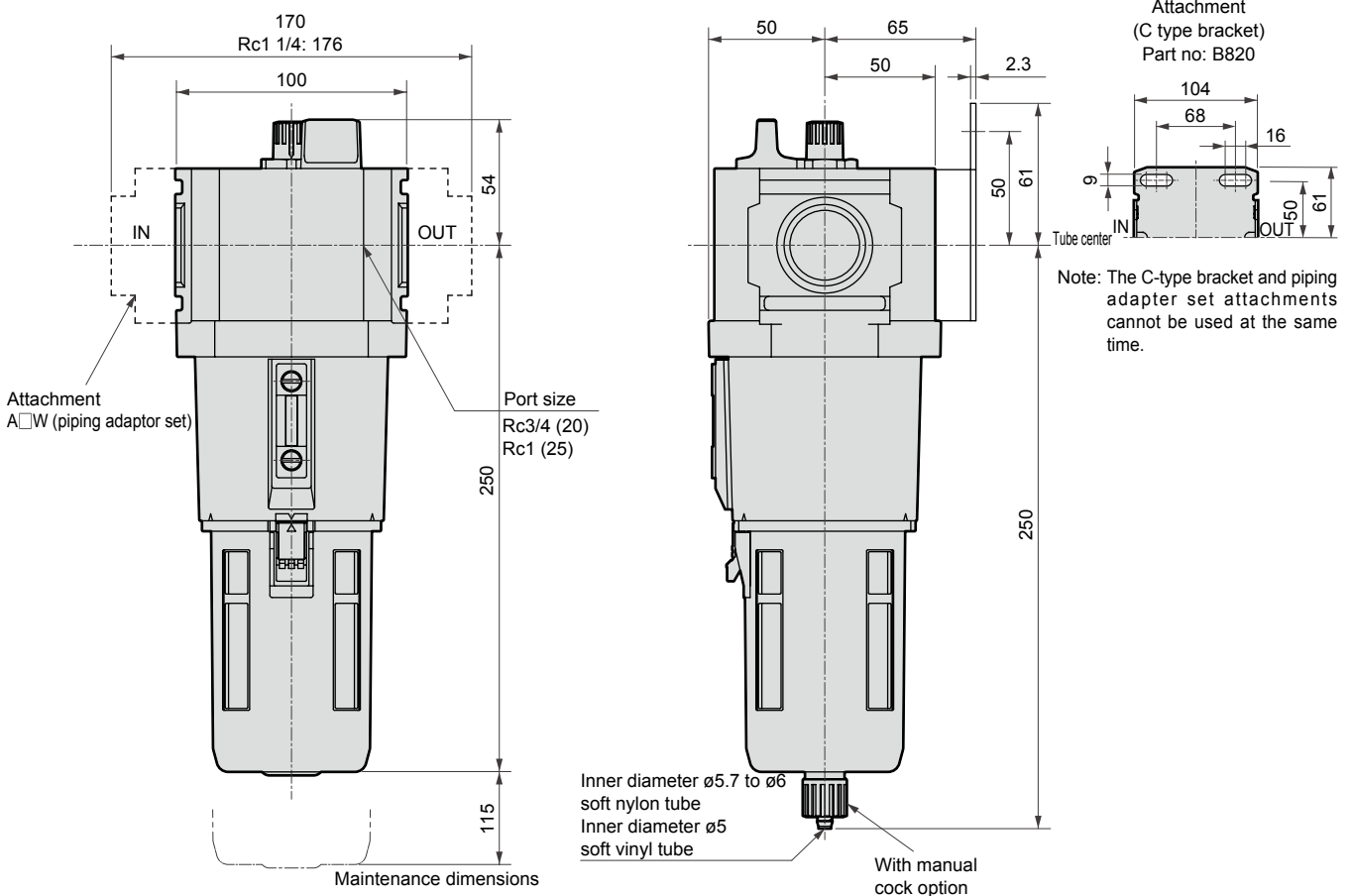
Dimensions

● L4000-W



Note: C-type bracket and piping adapter set attachments cannot be used at the same time.

● L8000-W



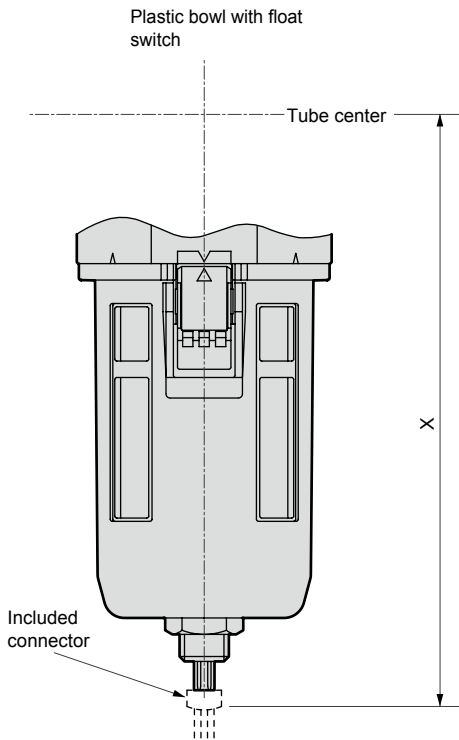
Lubricator Series

Option dimensions

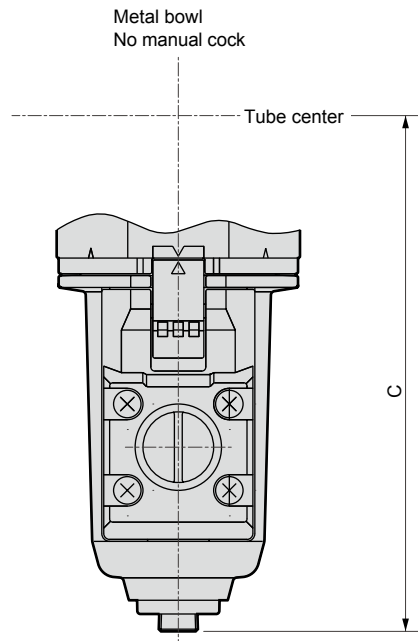


Other options [L3000-W, 4000-W, 8000-W]

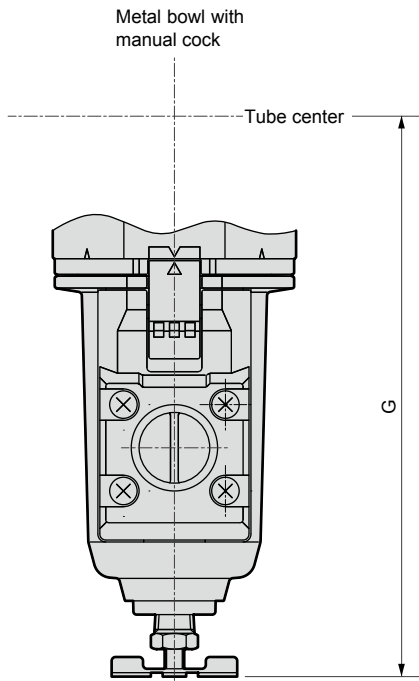
● Plastic bowl



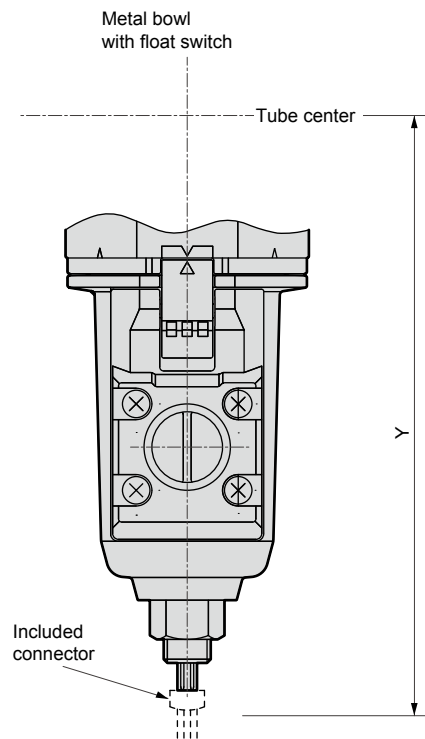
● Metal bowl (manual cock)



● Metal bowl with manual cock

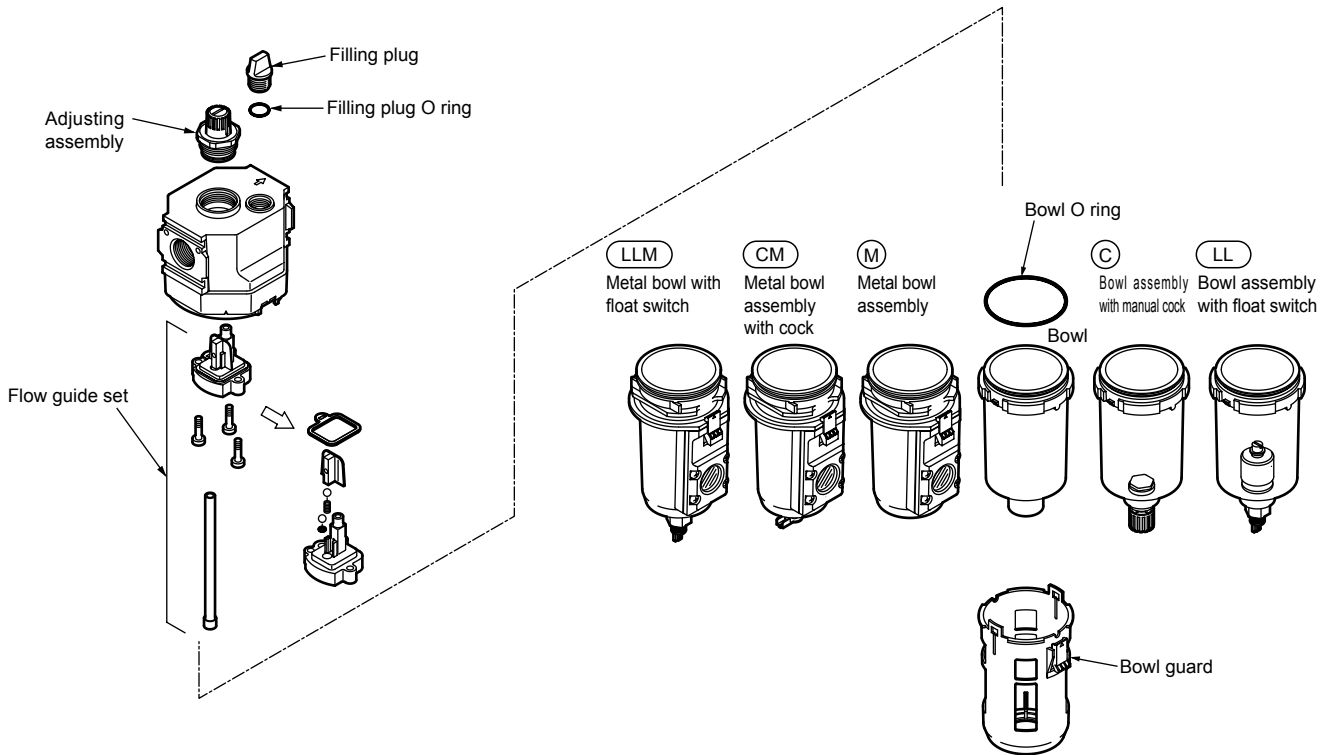


● Metal bowl with float switch



Model no.	C	G	X	Y
L3000-W	129	143.5	147	153.5
L4000-W	152	166.5	170	177
L8000-W	231.5	245.5	249	256

Option dimensions



Repair parts (filling plug O ring, adjusting assembly, flow guide set, bowl O ring set)

Model no.	Repair kit model no. for polycarbonate bowl	Repair kit model no. for nylon bowl and metal bowl
L3000-W	L3000-W-KIT	L3000-W-KIT-Z
L4000-W	L4000-W-KIT	L4000-W-KIT-Z
L8000-W	L8000-W-KIT	L8000-W-KIT-Z

Bowl assembly (Set of bowl assembly and bowl O ring)

Bowl assembly model no.	Polycarbonate bowl without cock (Blank)	Nylon bowl without cock (Z)	Metal bowl without cock (M)	Polycarbonate bowl with cock (C)	With cock Nylon bowl (CZ)	Metal bowl with cock (CM)	Polycarbonate bowl with float switch (LL)	Nylon bowl with float switch (LLZ)	Metal bowl with float switch (LLM)
L1000-W	L1000-BOWL	L1000-BOWL-Z	-	F1000-W-BOWL	F1000-W-BOWL-Z	-	-	-	-
L3000-W	L3000-BOWL	L3000-BOWL-Z	L3000-W-BOWL-M	F3000-W-BOWL	F3000-W-BOWL-Z	F3000-W-BOWL-M	L3000-BOWL-LL	L3000-BOWL-LLZ	L3000-W-BOWL-LLM
L4000-W, L8000-W	L4000-BOWL	L4000-BOWL-Z	L4000-W-BOWL-M	F4000-W-BOWL	F4000-W-BOWL-Z	F4000-W-BOWL-M	L4000-BOWL-LL	L4000-BOWL-LLZ	L4000-W-BOWL-LLM

* Refer to air filter options and parts table for details on bowl guard.

Adjusting assembly

Model no.	Adjusting assembly model no. (for polycarbonate bowl)	Adjusting assembly model no. (for nylon and metal bowl)
L3000-W, L4000-W, L8000-W	L3000-W-AJ-KIT	L3000-W-AJ-KIT-Z

Flow guide set

Model no.	Flow guide set model no.
L3000-W	L3000-FLOW-GUIDE
L4000-W	L4000-FLOW-GUIDE
L8000-W	L8000-FLOW-GUIDE

Filling plug set (fill plug and fill plug O ring)

Model no.	Filling plug set model no.
L3000-W, L4000-W	L3000-W-PLUG
L8000-W	L8000-W-PLUG